

## Heat Recovery Units ARUMAK EEC Series



- Medium efficiency heat recovery unit (Eff. 80%) with electronic control and EC motor for optimized management. Aluminium counter flow heat exchanger, Eurovent certified.
- With total bypass and regulation control CTRL-DPH (see options in control panel), with COP and CAV modes.
- Configuration options: without heating, with electric or water coil (hot) ntegrated in the unit.
- With F7/F7 or F7+F9/F7 filters.
- Versions for vertical and horizontal installation.
- Modular structure made of extruded aluminium profiles and double skin Aluzinc.
- Made up of sandwich panels with injected polyurethane foam insulation, thickness 25 mm and density 42 kg/m<sup>3</sup>.
- PLUG FAN Probat EEC, ErP compliant.

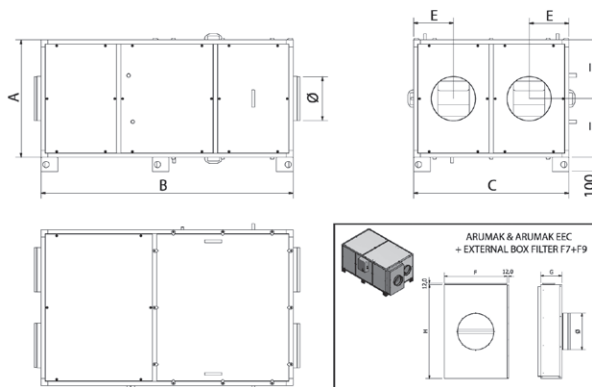
### Under Request:

- Without control.
- Manual bypass.
- Cold water coil.
- CTRL-MAX2 with Modbus RTU protocol.
- F9/F7 filters.
- Kit COP+CAV and VAV.

**Applications:** Shopping centers, small shops, banks, hospitality, schools, office buildings, public buildings.

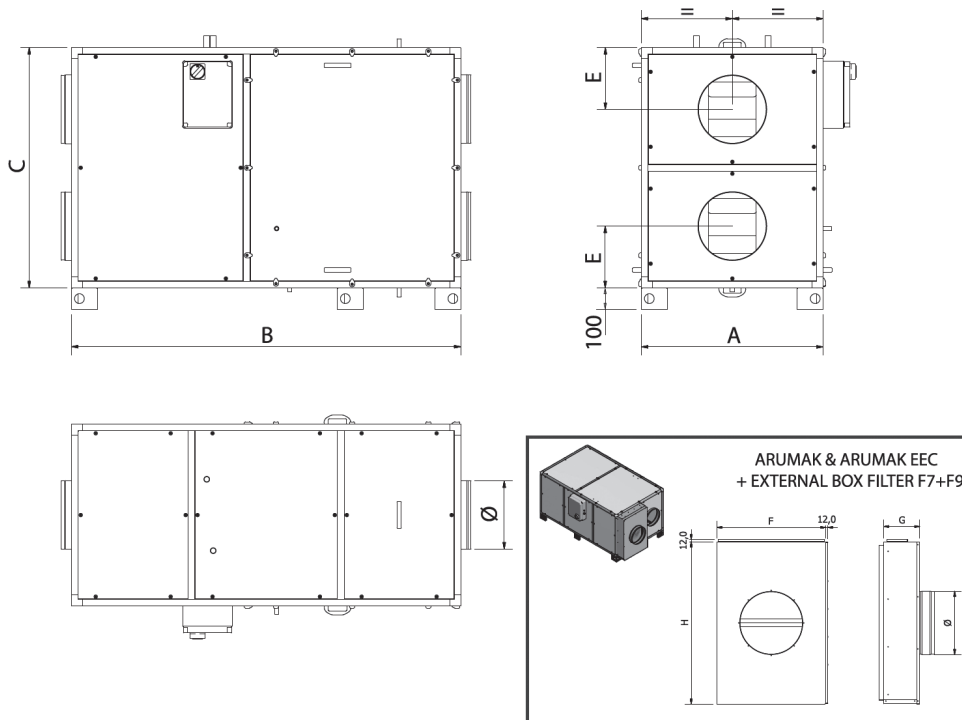
Technical Characteristics ARUMAK EEC Series 230V

Type	Power (kW)	RPM	Air Flow (m <sup>3</sup> /h)	Sound db (A)	Weight (Kg)	Price
ARUMAK 430 EEC H	2x0,083	3.200	430	38	98	☎
ARUMAK 430 EEC V	2x0,083	3.200	430	38	98	☎
ARUMAK 800 EEC H	2x0,17	2.860	800	41	114	☎
ARUMAK 800 EEC V	2x0,17	2.860	800	41	114	☎
ARUMAK 2000 EEC H	2x0,448	3.000	2.000	46	273	☎
ARUMAK 2000 EEC V	2x0,448	3.000	2.000	46	273	☎
ARUMAK 2600 EEC H	2x0,715	2.800	2.600	46	351	☎
ARUMAK 2600 EEC V	2x0,715	2.800	2.600	46	351	☎



Dimensions ARUMAK EEC Series (Horizontal installation)

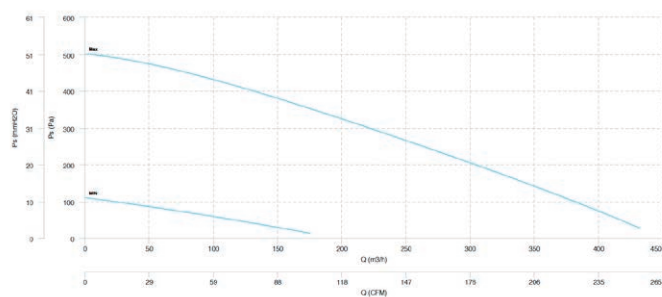
Type	A	B	C	E	F	G	H	Ø
ARUMAK 430 EEC H	450	1420	900	232	405	160	390	200
ARUMAK 800 EEC H	550	1420	900	232	405	160	490	250
ARUMAK 2000 EEC H	840	1800	1100	385	545	180	815	315
ARUMAK 2600 EEC H	1050	2180	1340	342	660	180	1025	400



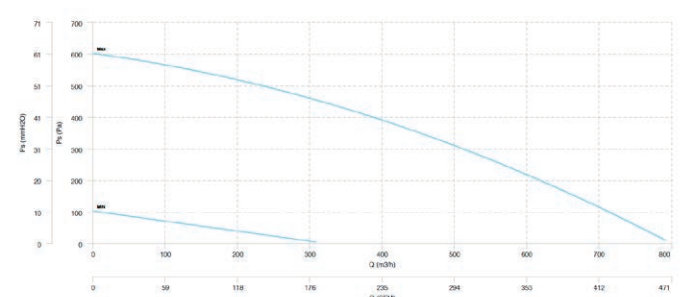
Dimensions ARUMAK EEC Series (Vertical installation)

Type	A	B	C	E	F	G	H	Ø
ARUMAK 430 EEC V	450	1420	900	232	405	160	390	200
ARUMAK 800 EEC V	550	1420	900	232	405	160	490	250
ARUMAK 2000 EEC V	840	1800	1100	285	545	180	815	315
ARUMAK 2600 EEC V	1050	2180	1340	342	660	180	1025	400

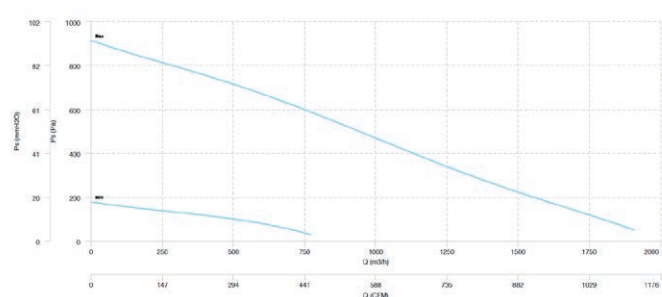
ARUMAK 430 EEC H ARUMAK 430 EEC V



ARUMAK 800 EEC H ARUMAK 800 EEC V



ARUMAK 2000 EEC H ARUMAK 2000 EEC V



ARUMAK 2600 EEC H ARUMAK 2600 EEC V

