



Applications: Shopping centers, small shops, banks, hospitality, schools, office buildings, public buildings.

Heat Recovery Units ARUMAK Series

- Medium-high efficiency heat recovery unit (Eff.79%) with AC motor for optimized management. Aluminium counter flow heat exchanger, Eurovent certified. Set in insulated steel boxes with sandwich polyurethane foam panels. With total bypass and regulation control CTRL-DPH.
- Configuration options: without heating, with electric or water coil (cold or hot) integrated in the unit.
- With F7/F7 o F7+F9/F7 filters.
- Versions for vertical and horizontal exterior installation.
- Modular structure made of extruded aluminium profiles and double skin Aluzinc.
- Made up of sandwich panels with injected polyurethane foam insulation, thickness 25mm and density 42Kg/m³.
- Centrifugal fans with direct motor coupled with double suction according to ErP 2018.

Control:

CTRL-DPH: manual speed, manages post-heating of the air with electric or water coils, automatically bypass. Regulation temperature, fault detection, time programming.

Under Request:

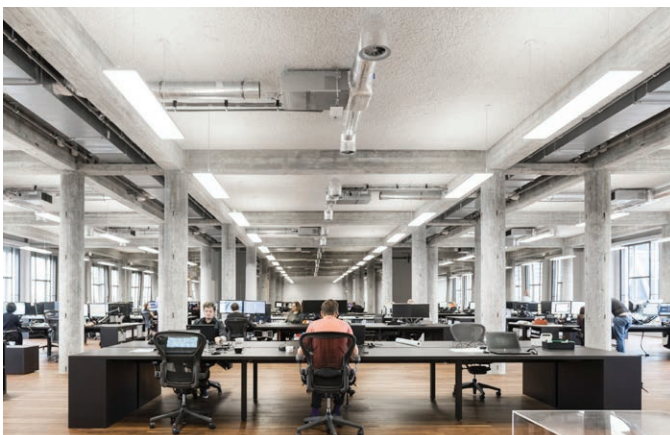
Without control
Cold water coil
Manual bypass.
F9/F7 filters.
CTRL-MAX2 with Modbus RTU protocol.

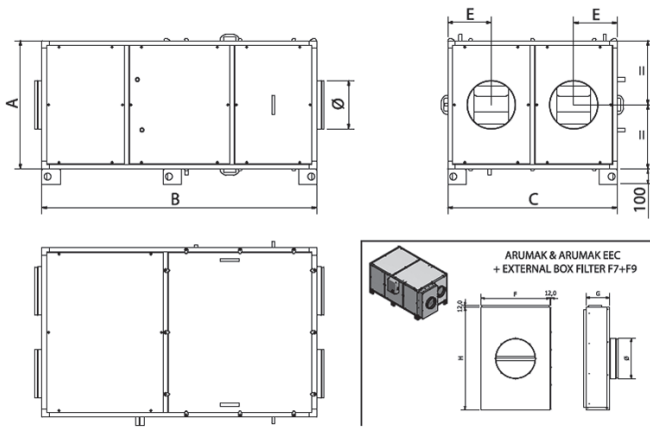
Technical Characteristics ARUMAK Series 230V

Type	Power (kW)	RPM	Air Flow (m ³ /h)	Sound db (A)	Weight (Kg)	Price
ARUMAK 430 H	2x0.15	1.350	430	34	99	☎
ARUMAK 430 V	2x0.15	1.350	430	34	99	☎
ARUMAK 800 H	2x0.29	1.350	800	45	115	☎
ARUMAK 800 V	2x0.29	1.350	800	45	115	☎
ARUMAK 2100 H	2x0.373	1.342	2.100	53	276	☎
ARUMAK 2100 V	2x0.373	1.342	2.100	53	276	☎

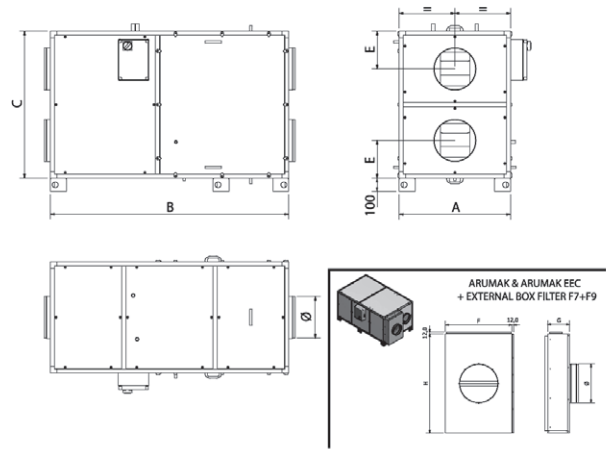
Technical Characteristics ARUMAK Series 400V

Type	Power (kW)	RPM	Air Flow (m ³ /h)	Sound db (A)	Weight (Kg)	Price
ARUMAK 2600 H	2x0.55	1.287	2.600	52	363	☎
ARUMAK 2600 V	2x0.55	1.287	2.600	52	363	☎
ARUMAK 3700 H	2x0.75	920	3.700	59	379	☎
ARUMAK 3700 V	2x0.75	920	3.700	59	379	☎





Dimensions ARUMAK Series (Horizontal installation)



Dimensions ARUMAK Series (Vertical installation)

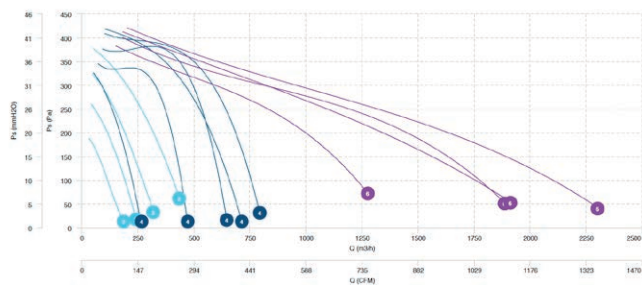
Dimensions ARUMAK Series (Horizontal installation)

Type	A	B	C	E	F	G	H	Ø
ARUMAK 430 H	450	1420	900	232	405	160	390	200
ARUMAK 800 H	550	1420	900	232	405	160	490	250
ARUMAK 2100 H	840	1800	1100	385	545	180	815	315
ARUMAK 2600 H	1050	2180	1340	342	660	180	1025	400
ARUMAK 3700 H	1050	2180	1340	342	660	180	1025	400

Dimensions ARUMAK Series (Vertical installation)

Type	A	B	C	E	F	G	H	Ø
ARUMAK 430 V	450	1420	900	232	405	160	390	200
ARUMAK 800 V	550	1420	900	232	405	160	490	250
ARUMAK 2100 V	840	1800	1100	285	545	180	815	315
ARUMAK 2600 V	1050	2180	1340	342	660	180	1025	400
ARUMAK 3700 V	1050	2180	1340	342	660	180	1025	400

- 1 ARUMAK 430 H
- 2 ARUMAK 430 V
- 3 ARUMAK 800 H
- 4 ARUMAK 800 V
- 5 ARUMAK 2100 H
- 6 ARUMAK 2100 V



- 1 ARUMAK 2600 H
- 2 ARUMAK 2600 V
- 3 ARUMAK 3700 H
- 4 ARUMAK 3700 V

