

Roof Centrifugal Backward Fan CTH3/CTH3-A Series

- Roof cowl made of ABS in CTH3 version. In CTH3-A models, cowl made of aluminium.
- Structure, roof base support and bird protection guard made of galvanised steel.
- High efficiency backward impeller with self-cleaning system of steel.
- Standard asynchronous motor with IP-55 protection and Class F insulation. Manufactured with standard voltages: 230V 50Hz in single phase motors, 230/400V 50Hz in three phase motors and 400V 50Hz in 2 speed motors.
- Maximum continuous working temperature for CTH3: carried air 80°C, environment 60°C for three phase and 50°C for single phase motors.
- Maximum continuous working temperature for CTH3-A: carried air 110°C, environment 60°C for three phase and 50°C for single phase motors.



Suitable for: Smoke extraction / Smoke emergency exhaust with motor outside the hazardous area / Air renewal in buildings and industries / Industrial and professional kitchen hoods.

Under Request: Special voltages / Sparking proof fan with ATEX certified motor / Version made of inox 304/316 / Finishing C4-C5.

Technical Characteristics CTH3 & CTH3-A 230V

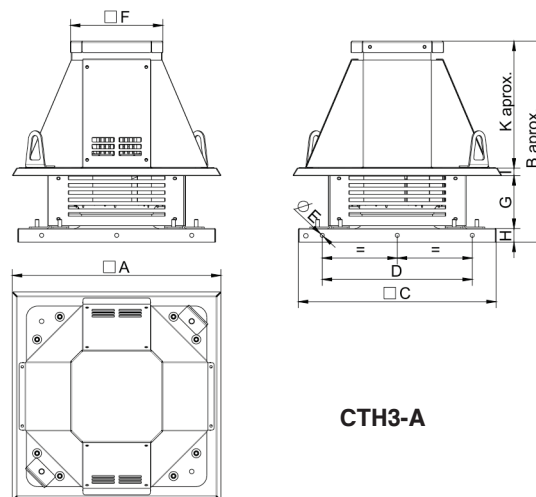
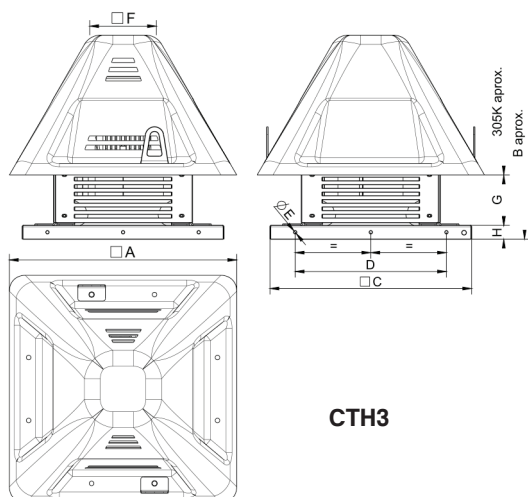
Type	Power (kW)	RPM	Air Flow (m ³ /h)	Sound db (A)	Weight (Kg)	Price CTH3	Price CTH3-A
CTH3/CTH3-A 225 M4 0,12kW	0,12	1.380	730	36	9	€ 1.103,00	€ 1.120,00
CTH3/CTH3-A 250 M4 0,12kW	0,12	1.380	870	39	10	€ 1.123,00	€ 1.140,00
CTH3/CTH3-A 280 M4 0,12kW	0,12	1.380	1.510	44	11	€ 1.140,00	€ 1.157,00
CTH3/CTH3-A 315 M4 0,25KW	0,25	1.400	2.180	48	15	€ 1.295,00	€ 1.315,00
CTH3/CTH3-A 400 M6 0,37KW	0,37	890	3.420	47	21	€ 1.397,00	€ 1.418,00

Technical Characteristics CTH3 & CTH3-A 400V

Type	Power (kW)	RPM	Air Flow (m ³ /h)	Sound db (A)	Weight (Kg)	Price CTH3	Price CTH3-A
CTH3/CTH3-A 225 T4 0,12kW	0,12	1400	730	36	9	€ 1.071,00	€ 1.087,00
CTH3/CTH3-A 250 T4 0,12kW	0,12	1400	870	39	10	€ 1.080,00	€ 1.096,00
CTH3/CTH3-A 280 T4 0,12kW	0,12	1400	1.510	44	11	€ 1.096,00	€ 1.113,00
CTH3/CTH3-A 315 T4 0,25KW	0,25	1400	2.180	48	15	€ 1.246,00	€ 1.264,00
CTH3/CTH3-A 355 T4 0,55KW	0,55	1400	3.590	52	19	€ 1.271,00	€ 1.290,00
CTH3/CTH3-A 400 T4 0,75KW	0,75	1390	5.310	56	21	€ 1.349,00	€ 1.369,00
CTH3/CTH3-A 450 T4 1,1KW	1,10	1400	7.530	60	38	€ 1.611,00	€ 1.635,00
CTH3/CTH3-A 500 T4 1,5KW	1,50	1400	10.000	63	50	€ 2.242,00	€ 2.276,00
CTH3/CTH3-A 560 T4 3KW	3,00	1390	12.950	65	55	€ 2.566,00	€ 2.605,00
CTH3/CTH3-A 400 T6 0,37KW	0,37	900	3.420	47	21	€ 1.344,00	€ 1.364,00
CTH3/CTH3-A 450 T6 0,37KW	0,37	910	4.890	51	38	€ 1.600,00	€ 1.624,00
CTH3/CTH3-A 500 T6 0,75KW	0,75	910	6.490	53	50	€ 2.271,00	€ 2.305,00
CTH3/CTH3-A 560 T6 0,75KW	0,75	910	8.430	56	55	€ 2.506,00	€ 2.543,00
CTH3/CTH3-A 630 T6 1,5KW	1,50	940	12.170	60	70	€ 2.763,00	€ 2.805,00
CTH3/CTH3-A 710 T6 2,2KW	2,20	940	18.980	64	170	€ 3.302,00	€ 3.351,00
CTH3/CTH3-A 800 T6 4KW	4,00	960	24.950	67	205	€ 3.971,00	€ 4.030,00
CTH3-A 900 T6 11KW	11,00	965	37.650	67	250	-	€ 6.237,00
CTH3-A 1000 T8 7,5KW	7,50	-	39.600	-	411	-	€ 7.004,00

Dimensions CTH3 (mm)

Type	A	B	C	D	E	F	G	H	K
CTH3 225	496	445	435	330	9	145,5	110	30	305
CTH3 250	496	445	435	330	9	145,5	110	30	305
CTH3 280	616	503,5	595	450	9	240,2	138,5	40	325
CTH3 315	616	548	595	450	9	240,2	183	40	325
CTH3 355	698,5	647	665	520	9	240,2	208,5	40	398,5
CTH3 400	698,5	705	665	520	9	240,2	266,5	40	398,5
CTH3 450	777	760	665	520	9	295,6	302	40	418
CTH3 500	972,75	865,5	939	710	9	388	317,5	50	498
CTH3 560	972,75	882,5	939	710	9	388	334,5	50	498
CTH3 630	972,75	924,5	939	710	9	388	376,5	50	498
CTH3 710	1168,5	1118,5	1035	840	9	429,6	439,5	50	629
CTH3 800	1168,5	1145	1035	840	9	429,6	466	50	629



Dimensions CTH3-A (mm)

Type	A	B	C	D	E	F	G	H	I
CTH3-A 225	463	441,9	435	330	9	203	112,25	30	20,75
CTH3-A 250	463	441,9	435	330	9	203	112,25	30	20,75
CTH3-A 280	583	500	595	450	9	203	140,75	40	20,75
CTH3-A 315	583	544,6	595	450	9	203	185,25	40	20,75
CTH3-A 355	664,6	644,6	665	520	9	253	210,8	40	30,75
CTH3-A 400	664,4	702,75	665	520	9	253	268,75	40	30,75
CTH3-A 450	774,6	758,15	665	520	9	253	304,25	40	30,75
CTH3-A 500	939,6	863,65	939	710	9	353	319,5	50	31
CTH3-A 560	939,6	880,65	939	710	9	353	336,5	50	31
CTH3-A 630	939,6	922,65	939	710	9	353	378,5	50	31
CTH3-A 710	1134,6	1116,22	1035	840	9	453	441,5	50	31
CTH3-A 800	1134,6	1142,72	1035	840	9	453	468	50	31