

## Certified F400 Fans Inside the Hazardous Area HBF F400 Series

### HBF F400:

- Axial fan with circular reinforced frame. Modular motor-impeller assembly.
- Cast aluminium impeller with variable pitch angle. Polyester powder finishing coat.
- Standard asynchronous squirrel cage motor with IP-55 protection and Class H insulation certified 400°C/2h. Standard voltages 230/400V 50Hz in three phase motors up to 4kW and 400/690V 50Hz for higher powers.
- Official homologation by the European laboratory APPLUS according to EN 12101-3:2002, EN 12101-3:2002/AC:2005. Certification Nr: 0370-CPR-0914.



### Under Request:

B Form impeller (air flow from impeller to motor).  
100% reversible impeller.

### Applications:

Designed for wall or duct installation, they are suitable for:  
Smoke emergency exhaust with motor inside the hazardous area.  
Maximum working temperature: 60°C.

### BOX HBF F400:

- BOX: Manufactured in galvanised steel sheet with thermalproofing.
- Soundproofing cabinets with thermo-acoustic insulation, Bs1d0 fire class.
- Removable panels for easy motor access and fan maintenance.
- Internal fan: HBF F400 Axial fan, circular reinforced frame.
- Designed for wall or duct installation, they are suitable for: Smoke emergency exhaust with motor inside the hazardous area.
- Cabinet design simplifies installation in rectangular duct systems.



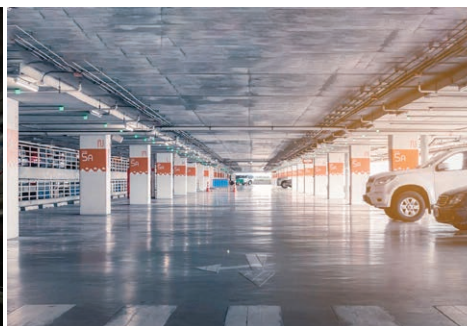
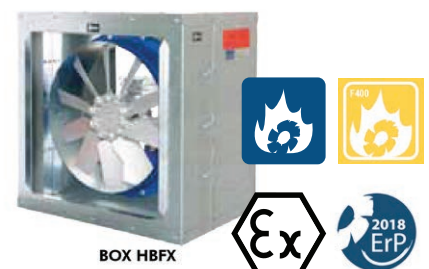
### HBF F400 + ATEX:

- ATEX standard asynchronous motor with IP-55 protection and Class H insulation certified 400°C/2h.
- Designed for wall or duct installation, they are suitable for: Smoke emergency exhaust with motor inside the hazardous area and high pressures needed.



### BOX HBFX F400:

- BOX: Manufactured in galvanised steel sheet with thermalproofing. Soundproofing cabinets with thermo-acoustic insulation, Bs1d0 fire class. Removable panels for easy motor access and fan maintenance.
- Internal fan: HBFX (F400+ATEX) Axial fan, circular reinforced frame.



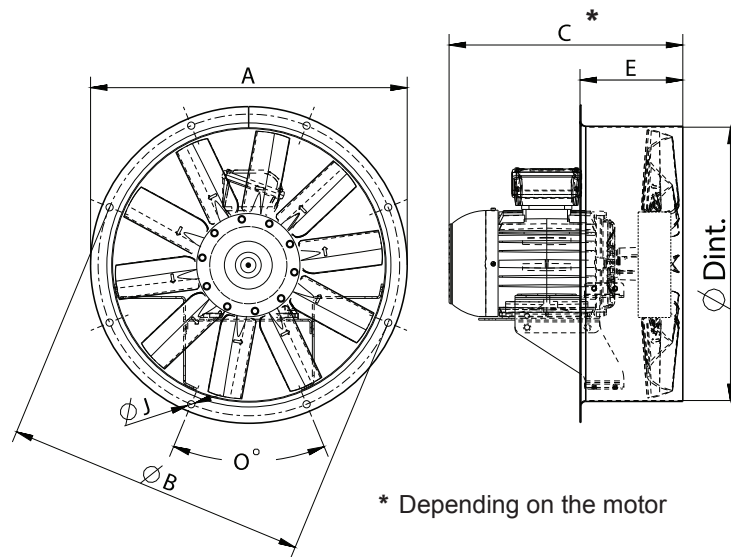
Technical Characteristics HBF Series 1450 RPM / 400V

Type	Angle	Power (kW)		Air Flow (max) (m <sup>3</sup> /h)	Sound db (A)
		min	max		
HBF 45 T4 (A5:6) F400	20° - 42,5°	0,75	0,75	-	51
HBF 50 T4 (A5:6) F400	25° - 45°	0,75	0,75	-	55
HBF 56 T4 (A5:6) F400	25° - 45°	0,75	1,50	14.360	70
HBF 63 T4 (A5:6) F400	25° - 45°	0,75	3,00	20.340	74
HBF 71 T4 (A5:6) F400	25° - 45°	0,75	3,00	27.510	79
HBF 80 T4 (A5:6) F400	25° - 45°	2,20	4,00	34.460	76
HBF 90 T4 (A3:4) F400	20° - 42°	3,00	15,00	48.110	73
HBF 90 T4 (A3:8) F400	20° - 42°	3,00	15,00	54.810	78
HBF 100 T4 (A3:4) F400	20° - 42°	5,50	22,00	67.210	72
HBF 100 T4 (A3:8) F400	20° - 42°	5,50	22,00	77.810	81
HBF 112 T4 (A3:4) F400	20° - 42°	7,50	37,00	92.110	76
HBF 112 T4 (A3:8) F400	20° - 42°	7,50	37,00	104.010	83
HBF 125 T4 (A3:4) F400	20° - 42°	11,00	45,00	124.010	83
HBF 125 T4 (A3:8) F400	20° - 42°	11,00	45,00	141.010	89

Technical Characteristics HBF Series 1450 RPM / 400V

Type	Angle	Power (kW)		Air Flow (max) (m <sup>3</sup> /h)	Sound db (A)
		min	max		
HBF 45 T6 (A5:6) F400	25° - 45°	0,55	0,75	-	42
HBF 50 T6 (A5:6) F400	25° - 45°	0,55	0,75	-	46
HBF 50 T6 (A5:6) F400	20° - 45°	0,55	0,75	9.760	67
HBF 63 T6 (A5:6) F400	20° - 45°	0,55	0,75	13.560	71
HBF 71 T6 (A5:6) F400	20° - 45°	0,55	1,10	18.340	76
HBF 80 T6 (A5:6) F400	20° - 45°	0,75	2,20	25.190	72
HBF 90 T6 (A3:4) F400	20° - 42°	1,50	5,50	31.210	63
HBF 90 T6 (A3:8) F400	20° - 42°	1,50	5,50	35.510	68
HBF 100 T6 (A3:4) F400	20° - 42°	1,50	7,50	43.610	63
HBF 100 T6 (A3:8) F400	20° - 42°	1,50	7,50	50.410	71
HBF 112 T6 (A3:4) F400	20° - 42°	2,20	11,00	59.710	66
HBF 112 T6 (A3:8) F400	20° - 42°	2,20	11,00	67.610	73
HBF 125 T6 (A3:4) F400	20° - 42°	3,00	18,50	80.610	73
HBF 125 T6 (A3:8) F400	20° - 42°	3,00	18,50	91.410	80





\* Depending on the motor

Dimensions HBF Series						
Type	O	ØA	ØB	ØD	ØJ	E
HBF 45 T4 (A5:6) F400	8X45°	525	500	452	12	165
HBF 45 T6 (A5:6) F400	8X45°	525	500	452	12	165
HBF 50 T4 (A5:6) F400	12x30°	600	560	504	12	165
HBF 50 T6 (A5:6) F400	12x30°	600	560	504	12	165
HBF 56 T4 (A5:6) F400	12X30°	646	620	559	12	175
HBF 56 T6 (A5:6) F400	12X30°	646	620	559	12	175
HBF 63 T4 (A5:6) F400	12X30°	725	690	633	12	185
HBF 63 T6 (A5:6) F400	12X30°	725	690	633	12	185
HBF 71 T4 (A5:6) F400	16x22,5°	802	770	715	12	190
HBF 71 T6 (A5:6) F400	16x22,5°	802	770	715	12	190
HBF 80 T4 (A5:6) F400	16x22,5°	892	860	801	12	220
HBF 80 T6 (A5:6) F400	16x22,5°	892	860	801	12	220
HBF 90 T4 (A3:4) F400	16x22,5°	1000	970	903.5	12	340
HBF 90 T4 (A3:8) F400	16x22,5°	1000	970	903.5	12	340
HBF 90 T6 (A3:4) F400	16x22,5°	1000	970	903.5	12	340
HBF 90 T6 (A3:8) F400	16x22,5°	1000	970	903.5	12	340
HBF 100 T4 (A3:4) F400	16x22,5°	1115	1070	1013	12	340
HBF 100 T4 (A3:8) F400	16x22,5°	1115	1070	1013	12	340
HBF 100 T6 (A3:4) F400	16x22,5°	1115	1070	1013	12	340
HBF 100 T6 (A3:8) F400	16x22,5°	1115	1070	1013	12	340
HBF 112 T4 (A3:4) F400	16x22,5°	1234	1190	1132	12	340
HBF 112 T4 (A3:8) F400	16x22,5°	1234	1190	1132	12	340
HBF 112 T6 (A3:4) F400	16x22,5°	1234	1190	1132	12	340
HBF 112 T6 (A3:8) F400	16x22,5°	1234	1190	1132	12	340
HBF 125 T4 (A3:4) F400	20x18°	1365	1320	1263	15	340
HBF 125 T4 (A3:8) F400	20x18°	1365	1320	1263	15	340
HBF 125 T6 (A3:4) F400	20x18°	1365	1320	1263	15	340
HBF 125 T6 (A3:8) F400	20x18°	1365	1320	1263	15	340

## Prices HBF F400 Series

Type	Price	Type	Price	Type	Price
HBF 45 T4 (A5:6) F400 0,75	€ 2.289,00	HBF 100 T4 (A3:4) F400 22	€12.021,00	HBF 90 T6 (A3:8) F400 5,5	€ 7.267,00
HBF 50 T4 (A5:6) F400 0,75	€ 2.384,00	HBF 112 T4 (A3:8) F400 7,5	€ 8.499,00	HBF 90 T6 (A3:4) F400 1,5	€ 5.114,00
HBF 56 T4 (A5:6) F400 0,75	€ 2.440,00	HBF 112 T4 (A3:8) F400 9,2	€ 8.997,00	HBF 90 T6 (A3:4) F400 2,2	€ 5.374,00
HBF 56 T4 (A5:6) F400 1,1	€ 2.616,00	HBF 112 T4 (A3:8) F400 11	€10.013,00	HBF 90 T6 (A3:4) F400 3	€ 6.023,00
HBF 56 T4 (A5:6) F400 1,5	€ 2.889,00	HBF 112 T4 (A3:8) F400 15	€11.213,00	HBF 90 T6 (A3:4) F400 4	€ 6.474,00
HBF 63 T4 (A5:6) F400 0,75	€ 2.528,00	HBF 112 T4 (A3:8) F400 18,5	€12.535,00	HBF 90 T6 (A3:4) F400 5,5	€ 6.758,00
HBF 63 T4 (A5:6) F400 1,1	€ 2.703,00	HBF 112 T4 (A3:8) F400 22	€13.466,00	HBF 100 T6 (A3:8) F400 1,5	€ 5.894,00
HBF 63 T4 (A5:6) F400 1,5	€ 2.976,00	HBF 112 T4 (A3:8) F400 30	€16.040,00	HBF 100 T6 (A3:8) F400 2,2	€ 6.155,00
HBF 63 T4 (A5:6) F400 2,2	€ 3.201,00	HBF 112 T4 (A3:8) F400 37	€18.484,00	HBF 100 T6 (A3:8) F400 3	€ 6.804,00
HBF 71 T4 (A5:6) F400 0,75	€ 2.616,00	HBF 112 T4 (A3:4) F400 7,5	€ 7.990,00	HBF 100 T6 (A3:8) F400 4	€ 7.254,00
HBF 71 T4 (A5:6) F400 1,1	€ 2.791,00	HBF 112 T4 (A3:4) F400 9,2	€ 8.488,00	HBF 100 T6 (A3:8) F400 5,5	€ 7.539,00
HBF 71 T4 (A5:6) F400 1,5	€ 3.065,00	HBF 112 T4 (A3:4) F400 11	€ 9.504,00	HBF 100 T6 (A3:8) F400 7,5	€ 9.563,00
HBF 71 T4 (A5:6) F400 2,2	€ 3.289,00	HBF 112 T4 (A3:4) F400 15	€10.704,00	HBF 100 T6 (A3:4) F400 1,5	€ 5.386,00
HBF 71 T4 (A5:6) F400 3	€ 3.589,00	HBF 112 T4 (A3:4) F400 18,5	€12.027,00	HBF 100 T6 (A3:4) F400 2,2	€ 5.646,00
HBF 80 T4 (A5:6) F400 2,2	€ 3.411,00	HBF 112 T4 (A3:4) F400 22	€12.957,00	HBF 100 T6 (A3:4) F400 3	€ 6.295,00
HBF 80 T4 (A5:6) F400 3	€ 3.712,00	HBF 112 T4 (A3:4) F400 30	€15.532,00	HBF 100 T6 (A3:4) F400 4	€ 6.746,00
HBF 80 T4 (A5:6) F400 4	€ 3.901,00	HBF 112 T4 (A3:4) F400 37	€17.976,00	HBF 100 T6 (A3:4) F400 5,5	€ 7.031,00
HBF 90 T4 (A3:8) F400 3	€ 5.749,00	HBF 125 T4 (A3:8) F400 11	€10.335,00	HBF 100 T6 (A3:4) F400 7,5	€ 9.055,00
HBF 90 T4 (A3:8) F400 4	€ 5.939,00	HBF 125 T4 (A3:8) F400 15	€11.535,00	HBF 112 T6 (A3:8) F400 2,2	€ 7.091,00
HBF 90 T4 (A3:8) F400 5,5	€ 6.769,00	HBF 125 T4 (A3:8) F400 18,5	€12.857,00	HBF 112 T6 (A3:8) F400 3	€ 7.739,00
HBF 90 T4 (A3:8) F400 7,5	€ 7.291,00	HBF 125 T4 (A3:8) F400 22	€13.788,00	HBF 112 T6 (A3:8) F400 4	€ 8.190,00
HBF 90 T4 (A3:8) F400 9,2	€ 7.789,00	HBF 125 T4 (A3:8) F400 30	€16.363,00	HBF 112 T6 (A3:8) F400 5,5	€ 8.475,00
HBF 90 T4 (A3:8) F400 11	€ 8.805,00	HBF 125 T4 (A3:8) F400 37	€18.807,00	HBF 112 T6 (A3:8) F400 7,5	€10.499,00
HBF 90 T4 (A3:8) F400 15	€10.005,00	HBF 125 T4 (A3:8) F400 45	€20.016,00	HBF 112 T6 (A3:8) F400 11	€11.796,00
HBF 90 T4 (A3:4) F400 3	€ 5.240,00	HBF 125 T4 (A3:4) F400 11	€ 9.827,00	HBF 112 T6 (A3:4) F400 2,2	€ 6.582,00
HBF 90 T4 (A3:4) F400 4	€ 5.430,00	HBF 125 T4 (A3:4) F400 15	€11.027,00	HBF 112 T6 (A3:4) F400 3	€ 7.231,00
HBF 90 T4 (A3:4) F400 5,5	€ 6.260,00	HBF 125 T4 (A3:4) F400 18,5	€12.349,00	HBF 112 T6 (A3:4) F400 4	€ 7.682,00
HBF 90 T4 (A3:4) F400 7,5	€ 6.782,00	HBF 125 T4 (A3:4) F400 22	€13.280,00	HBF 112 T6 (A3:4) F400 5,5	€ 7.966,00
HBF 90 T4 (A3:4) F400 9,2	€ 7.280,00	HBF 125 T4 (A3:4) F400 30	€15.854,00	HBF 112 T6 (A3:4) F400 7,5	€ 9.991,00
HBF 90 T4 (A3:4) F400 11	€ 8.296,00	HBF 125 T4 (A3:4) F400 37	€18.298,00	HBF 112 T6 (A3:4) F400 11	€11.287,00
HBF 90 T4 (A3:4) F400 15	€ 9.497,00	HBF 125 T4 (A3:4) F400 45	€19.507,00	HBF 125 T6 (A3:8) F400 3	€ 8.062,00
HBF 100 T4 (A3:8) F400 5,5	€ 7.041,00	HBF 45 T6 (A5:6) F400 0,75	€ 2.651,00	HBF 125 T6 (A3:8) F400 4	€ 8.513,00
HBF 100 T4 (A3:8) F400 7,5	€ 7.563,00	HBF 50 T6 (A5:6) F400 0,75	€ 2.746,00	HBF 125 T6 (A3:8) F400 5,5	€ 8.797,00
HBF 100 T4 (A3:8) F400 9,2	€ 8.061,00	HBF 56 T6 (A5:6) F400 0,75	€ 2.803,00	HBF 125 T6 (A3:8) F400 7,5	€10.821,00
HBF 100 T4 (A3:8) F400 11	€ 9.077,00	HBF 63 T6 (A5:6) F400 0,75	€ 2.890,00	HBF 125 T6 (A3:8) F400 11	€12.118,00
HBF 100 T4 (A3:8) F400 15	€10.277,00	HBF 71 T6 (A5:6) F400 0,75	€ 2.978,00	HBF 125 T6 (A3:8) F400 15	€13.502,00
HBF 100 T4 (A3:8) F400 18,5	€11.599,00	HBF 80 T6 (A5:6) F400 0,75	€ 3.100,00	HBF 125 T6 (A3:4) F400 3	€ 7.553,00
HBF 100 T4 (A3:8) F400 22	€12.530,00	HBF 80 T6 (A5:6) F400 1,1	€ 3.210,00	HBF 125 T6 (A3:4) F400 4	€ 8.004,00
HBF 100 T4 (A3:4) F400 5,5	€ 6.532,00	HBF 80 T6 (A5:6) F400 1,5	€ 3.585,00	HBF 125 T6 (A3:4) F400 5,5	€ 8.289,00
HBF 100 T4 (A3:4) F400 7,5	€ 7.054,00	HBF 80 T6 (A5:6) F400 2,2	€ 3.846,00	HBF 125 T6 (A3:4) F400 7,5	€10.313,00
HBF 100 T4 (A3:4) F400 9,2	€ 7.552,00	HBF 90 T6 (A3:8) F400 1,5	€ 5.622,00	HBF 125 T6 (A3:4) F400 11	€11.610,00
HBF 100 T4 (A3:4) F400 11	€ 8.569,00	HBF 90 T6 (A3:8) F400 2,2	€ 5.883,00	HBF 125 T6 (A3:4) F400 15	€12.994,00
HBF 100 T4 (A3:4) F400 15	€ 9.769,00	HBF 90 T6 (A3:8) F400 3	€ 6.532,00	-	-
HBF 100 T4 (A3:4) F400 18,5	€11.091,00	HBF 90 T6 (A3:8) F400 4	€ 6.982,00	-	-