



## Axial fans with ATEX certification HJBMX Series

- Square plate made of inox steel AISI 304.
- Variable pitch angle PAGAS impeller.
- Supplied with motor support and protection guard according to the ROHS 2002/95/EC Directive (Restriction of the Use of Certain Hazardous Substances in Electrical and Electronic Equipments).
- ATEX standard asynchronous motor. Standard voltages 230/400V 50Hz for three phase motors.
- IP55 Motor.
- In compliance with the Directive 2014/34/UE.ATEX certified II2G and II3G/D.

### Under Request:

ATEX classification for other areas.  
60Hz fans and special voltages.

### Applications:

Designed for wall assembly, they are suitable for:  
Air renewal in buildings and industries.  
Smoke extraction (max. 45-50°C).  
General ventilation in closed environments classified as ATEX zone 1 with motor EEx\_d.  
Maximum working temperature: 50°C.

Technical Characteristics HJBMX Series 230V

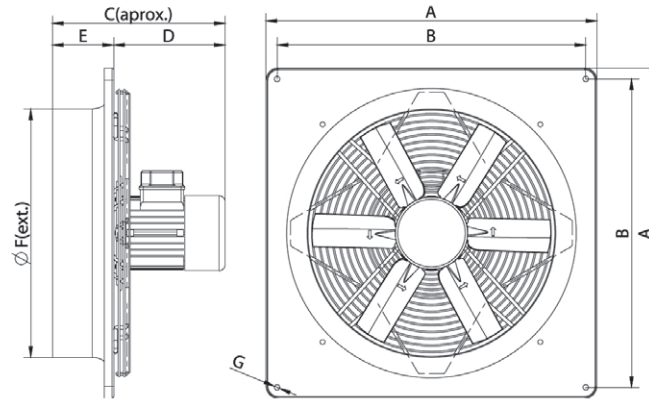
Type	Power (kW)	Voltage (V)	RPM	Air Flow (m <sup>3</sup> /h)	Weight (Kg)	Price
HJBMX 25 M4 0,09kW	0.09	230	1.390	1.440	4,0	€ 2238,00
HJBMX 30 M4 0,09kW	0.09	230	1.390	2.440	5,0	€ 2254,00
HJBMX 35 M4 0,09kW	0,18	230	1.390	3.510	6,5	€ 2620,00
HJBMX 40 M4 0,18kW	0,18	230	1.390	5.270	9,0	€ 2759,00

Technical Characteristics HJBMX Series 400V

Type	Power (kW)	Voltage (V)	RPM	Air Flow (m <sup>3</sup> /h)	Weight (Kg)	Price
HJBMX 25 T4 0,12kW	0,12	400	1.412	1.440	4,0	€ 1495,00
HJBMX 30 T4 0,12kW	0,12	400	1.412	2.440	5,0	€ 1451,00
HJBMX 35 T4 0,25kW	0,25	400	1.372	3.510	6,5	€ 1532,00
HJBMX 40 T4 0,25kW	0,25	400	1.372	4.690	9,0	€ 1751,00
HJBMX 45 T4 0,37kW	0,37	400	1.378	7.260	13,0	€ 1915,00
HJBMX 50 T4 0,75kW	0,75	400	1.427	9.320	18,0	€ 2201,00
HJBMX 56 T4 0,75kW	0,75	400	1.427	12.000	20,0	€ 2362,00
HJBMX 40 T6 0,18kW	0,18	400	908	3.410	9,0	€ 1866,00
HJBMX 45 T6 0,18kW	0,18	400	908	4.710	13,0	€ 1887,00
HJBMX 50 T6 0,18kW	0,18	400	908	6.040	18,0	€ 2377,00
HJBMX 56 T6 0,18kW	0,18	400	908	7.800	20,0	€ 2465,00



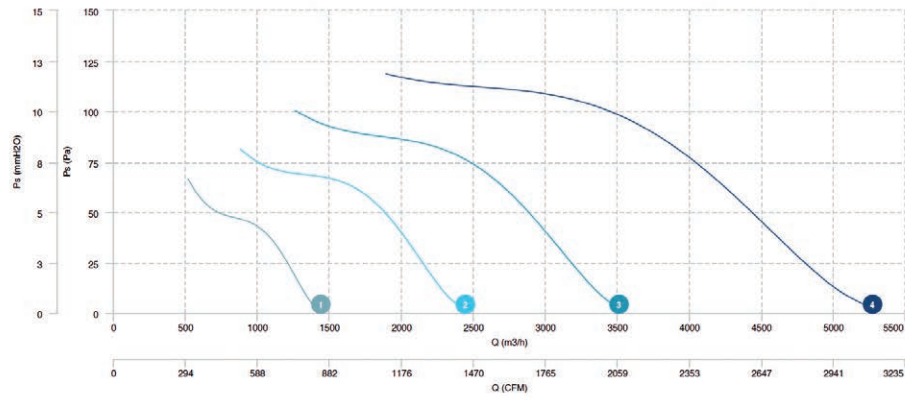
# Axial Fans With Explosion Proof Motors



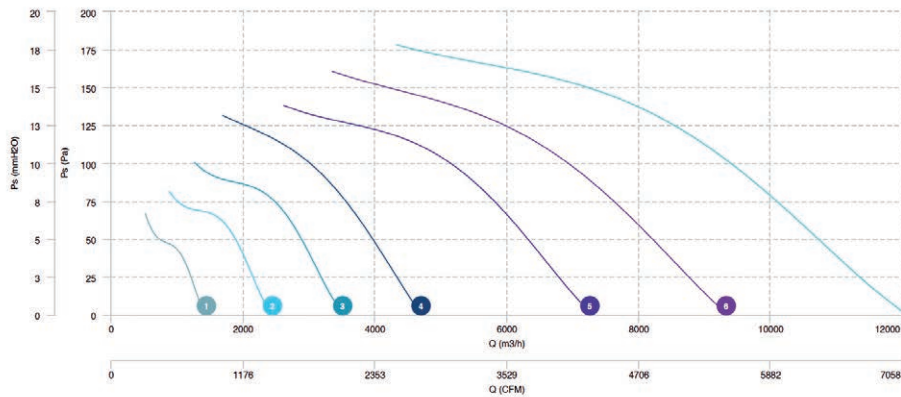
Dimensions HJBMX (mm)							
Type	A	B	C	D	E	F	G
HJBMX 25 M4 0,09kW	370	320	274,8	192,8	82	253	7
HJBMX 30 M4 0,09kW	404	337	274,5	192,8	82	308	9
HJBMX 35 M4 0,09kW	460	392	297,5	211,5	86	366	9
HJBMX 40 M4 0,18kW	540	504	312	212	100	406	11
HJBMX 25 T4 0,12kW	370	320	274,8	192,8	82	253	7
HJBMX 30 T4 0,12kW	404	337	274,5	192,8	82	308	9
HJBMX 35 T4 0,25kW	460	392	297,5	211,5	86	366	9
HJBMX 40 T4 0,25kW	540	504	312	212	100	406	11
HJBMX 45 T4 0,37kW	576	521,5	310	210	100	455	11
HJBMX 50 T4 0,75kW	655	599,4	339,5	219,5	120	508	11
HJBMX 56 T4 0,75kW	725	650	339,5	219,5	120	560	11
HJBMX 40 T6 0,18kW	540	504	312	212	100	406	11
HJBMX 45 T6 0,18kW	576	521,5	310	210	100	455	11
HJBMX 50 T6 0,18kW	655	599,4	323,5	203,5	120	508	11
HJBMX 56 T6 0,18kW	725	650	339,5	219,5	120	560	11



1 HJBMX 25 M4 0,09kW    2 HJBMX 30 M4 0,09kW    3 HJBMX 35 M4 0,18kW    4 HJBMX 40 M4 0,18kW



1 HJBMX 25 T4 0,12kW    2 HJBMX 30 T4 0,12kW    3 HJBMX 35 T4 0,25kW    4 HJBMX 40 T4 0,25kW  
5 HJBMX 45 T4 0,37kW    6 HJBMX 50 T4 0,75kW    7 HJBMX 56 T4 0,75kW



1 HJBMX 40 T6 0,18kW    2 HJBMX 45 T6 0,18kW    3 HJBMX 50 T6 0,18kW    4 HJBMX 56 T6 0,18kW

