

Duct (In-Line) Fans For Rectangular Section Duct Systems Series IRB

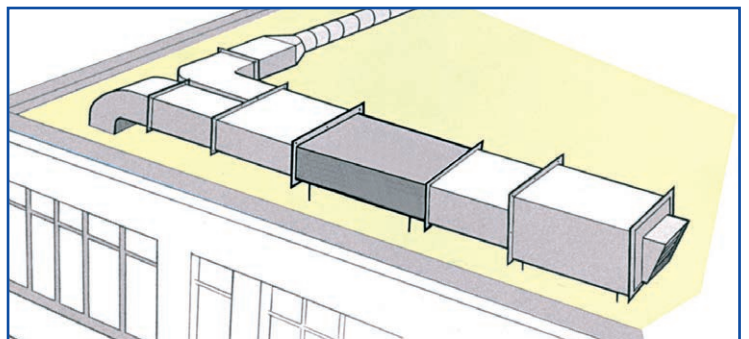
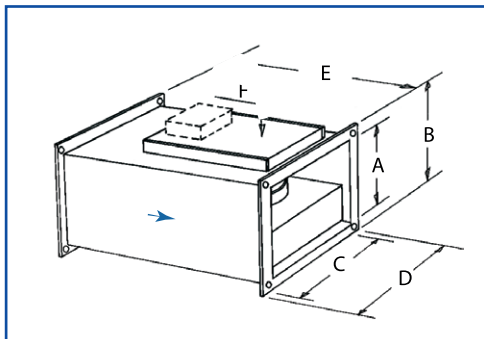
- Axial - centrifugal medium pressure fans with external rotor electric motors.
- **Air flow up to 17.000 m³/h.**
- With backward curved impeller.
- Impeller inspection door for cleaning purposes without disconnecting the fan from the air duct network.
- Motor protection **IP 44, IP 55. Class B, F.**
- Speed controllables.

Suitable

for the ventilation of large halls, restaurants and offices.
Ideal for installation that needs small dimension for the fan.

IRB Series						
Type	Power (W)	Vage (V)	Air flow (m ³ /h)	Noise Level (dB)	Air temperature °C	Price
IRB 4020 2SM	85	230	920	50	70	€ 479,00
IRB 5025 4SM	110	230	1.550	45	70	€ 603,00
IRB 5030 4HM	175	230	2.300	48	70	€ 682,00
IRB 6035 4HM	470	230	4.100	56	70	€ 1.073,00
IRB 7040 4HM	624	230	5.710	60	70	€ 1.491,00
IRB 7040 4ST	700	400	5.600	59	70	€ 1.304,00
IRB 8050 4ST	1.450	400	7.400	63	70	€ 1.716,00
IRB 10050 4HT	3.950	400	17.000	69	70	€ 1.953,00

Dimensions						
Type	A (mm)	B (mm)	C (mm)	D (mm)	E (mm)	Weight Kg
IRB 4020 2SM	220	235	420	435	510	13
IRB 5025 4SM	270	285	520	535	540	18
IRB 5030 4HM	320	335	520	535	610	30
IRB 6035 4HM	370	385	620	635	726	44
IRB 7040 4HM	398	440	698	740	787	43
IRB 7040 4ST	420	435	720	735	796	63
IRB 8050 4ST	520	535	820	835	921	90
IRB 10050 4HT	520	535	1.020	1.035	1.026	119



IRB Series Performance Curves

