



Cased to Portable Conversion Kit KIT HI Series

Set consisting of 2 protection guards (RP) and a fan support (PS) which allow the adjustment of the airstream direction. Suitable for tubular fans.

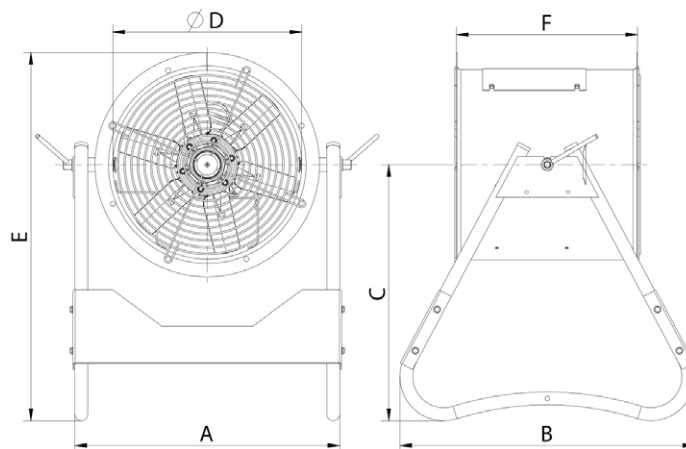
Set consisting of:

- Protection grids on both sides, in compliance with the directive ROHS 2002/95/EC (Restriction of hazardous substances in electrical and electronic equipment).
- Tilt support for HM made of steel and protected against corrosion with epoxy-polyester resin powder.
- Possibility of orienting the air jet in any position.

Under request: Supply impeller (air direction from impeller to motor). 100% reversible impeller.
Cast aluminium impeller, 60Hz fans and special volt-ages, 2 speed motors, Hot-dipped galvanised or stainless steel housings.

KIT HI									
Type	A (mm)	B (mm)	C (mm)	D (mm)	E (mm)	F (mm)	F(T2) (mm)	Weight (Kg)	Price*
KIT HI 35	512	570	495	365	712	350	395	8	€ 345,00
KIT HI 40	553	570	495	403	731	440	-	9	€ 350,00
KIT HI 45	613	570	495	452	757,5	455	-	11	€ 367,00
KIT HI 56	713	700	650	559	973	560	-	13	€ 440,00
KIT HI 63	183	700	650	633	1012,5	550	-	15	€ 571,00
KIT HI 71	868	700	650	716	1051	600	-	18	€ 585,00

*Price does not include ventilator



The HI KIT is suitable for the series:

