



Belt Driven Axial Fans HHP Series

- Long cased fan.
- Transmission ball bearings set inside a sealed box manufactured in steel or cast aluminium. Ball bearings permanently greased.
- Cast aluminium impeller with variable pitch angle in origin.
- Polyester powder finishing coat.
- Standard asynchronous squirrel-cage motor with IP-55 protection and Class F insulation. Manufactured with standard voltages: 230/400V 50Hz in three phase motors, up to 4kW and 400/690V 50Hz for higher powers.
- Fan opening option (180°) for easier maintenance and no need of disassembly from the installation.

Under request: Supply impeller (air direction from impeller to motor), Reversible impeller. Polyamide impeller. 60Hz fans and special voltages 2 speed motors. Stainless steel housing. Hot-dipped galvanised or stainless steel housing.

Applications:

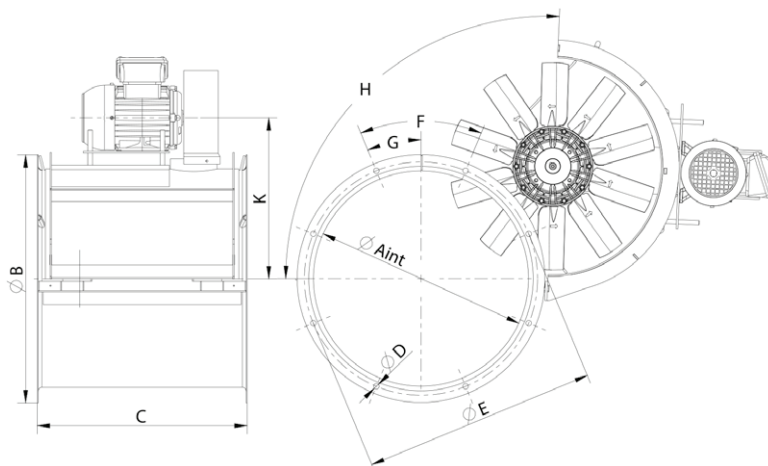
Air renewal in buildings and industries.

Extraction of hot air up to 110°C.

Maximum working temperature: carried air: 110°C, ambient 60°C.

Technical Characteristics HHP Series						
Type	Power (kW)	RPM	Air Flow (m³/h)	Sound db (A)	Weight (Kg)	Price
HHP 45 T4 0,37kW	0,37	1.400	6.290	61	36	€ 1819,00
HHP 56 T4 0,55kW	0,55	1.400	8.680	67	36	€ 1937,00
HHP 56 T4 0,75kW	0,75	1.390	10.940	59	36	€ 2069,00
HHP 56 T4 1,1kW	1,10	1.400	12.040	58	39	€ 2070,00
HHP 63 T4 1,1kW	1,10	1.400	14.010	59	59	€ 2151,00
HHP 71 T4 1,1kW	1,10	1.400	15.970	63	74	€ 2355,00
HHP 71 T4 1,5kW	1,50	1.400	18.980	67	77	€ 2543,00
HHP 90 T4 3kW	3,00	1.430	29.940	67	113	€ 4384,00
HHP 90 T4 5,5kW	5,50	1.400	32.510	78	132	€ 4578,00





Dimensions HHP									
Type	AØ	BØ	C	DØ	E	F	G	H	K màx
HHP 45 T4 0,37kW	460	530	450	12	500	8x45°	22,5°	110°	355
HHP 56 T4 0,55kW	560	650	482	12	620	12x30°	15°	110°	406
HHP 56 T4 0,75kW	560	650	482	12	620	12x30°	15°	110°	406
HHP 56 T4 1,1kW	560	650	482	12	620	12x30°	15°	110°	406
HHP 63 T4 1,1kW	630	720	550	12	690	12x30°	15°	110°	440
HHP 71 T4 1,1kW	715	800	550	12	770	16x22,5°	11,25°	110°	488
HHP 71 T4 1,5kW	715	800	550	12	770	16x22,5°	11,25°	110°	488
HHP 90 T4 3kW	905	1002,5	695	12	970	22,5	11,25	92,5°	652
HHP 90 T4 5,5kW	905	1002,5	695	12	970	22,5	11,25	92,5°	652

- 1 HHP 45 T4 0,37kW
- 2 HHP 56 T4 0,55kW
- 3 HHP 56 T4 0,75kW
- 4 HHP 56 T4 1,1kW
- 5 HHP 63 T4 1,1kW
- 6 HHP 71 T4 1,1kW
- 7 HHP 71 T4 1,5kW
- 8 HHP 90 T4 3kW
- 9 HHP 90 T4 5,5kW

