

## Axial Fans DLV Series

- Excellent quality axial fans (EMI).
- Fan frame of highly durable special thermoplastic material (polypropylene colored black).
- For series 50T, 80, and 92 the housing is made of hot-rolled sheet steel, protected by electrostatic epoxy paint (powder coated black).

### Impellers:

- Aluminum central hub, stainless steel impeller blades.

### Electric motors:

- Aluminum housing (extrusion or die-cast).
- Heat class F insulation. IP55 protection rating.
- Deep groove ball bearings with purpose-developed grease (maintenance-free).
- Horizontal or vertical installation.
- Fans include protection guard. Aluminum or plastic gravity grilles available for all fan models.
- In combination with the digital climate control units we can control the humidity, temperature and ventilation.



### Applications:

*Ideal for greenhouses, animal husbandry units, poultry farms, pork houses, livestock breeding sites and any other agricultural or livestock activities requiring increased resistance ratio conditions. It is also suitable for industries, workshops, car parks, restaurants, large rooms and general foodservices.*

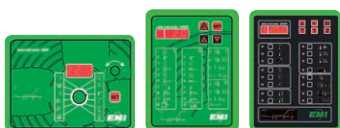
### DLV 400V / 1400 RPM (4T) Series

Type	Code	RPM	Diameter (mm)	Power (W)	Air flow (m³/h)	Noise Level dB (A)	Price
4T30	DLV 4 / 300	1.400	300	85	2.050	48	€ 589,00
4T35	DLV 4 / 350	1.400	350	140	3.200	49	€ 672,00
4T40	DLV 4 / 400	1.400	400	220	4.750	52	€ 740,00
4T45	DLV 4 / 450	1.400	450	300	6.250	54	€ 796,00
4T50	DLV 4 / 500	1.400	500	405	8.650	56	€ 813,00
4T56	DLV 4 / 560	1.400	560	670	11.800	65	€ 1.224,00
4T63	DLV 4 / 630	1.400	630	735	14.400	67	€ 1.448,00

### DLV 400V / 900 RPM (6T) Series

Type	Code	RPM	Diameter (mm)	Power (W)	Air flow (m³/h)	Noise Level dB (A)	Price
6T63	DLV 6 / 630	900	630	475	11.700	57	€ 1.146,00
6T71	DLV 6 / 710	900	710	465	13.750	60	€ 1.229,00

### Accessories



Microtronic Controllers



Ρυθμιστής PSN



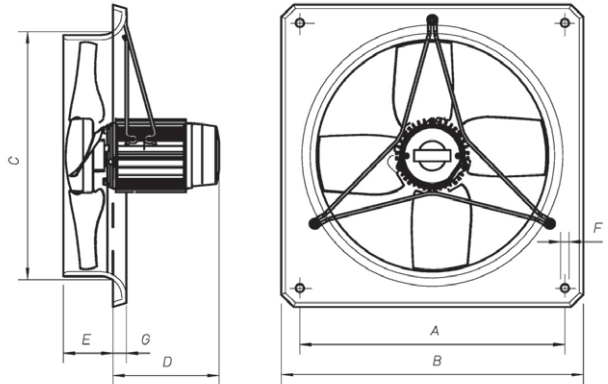
Protection / Operation Switch MSE & MSD



VK Series gravity grilles

## DLV Series Dimensions

Type (cm)	A (mm)	B (mm)	C (mm)	D max (mm)	E (mm)	F (mm)	G (mm)	M rj PP*
30	350	395	330	186	106	9,5	20	PP
35	400	445	375	186	106	9,5	20	PP
40	444	495	430	186	106	9,5	20	PP
45	505	575	480	176	116	13	20	PP
50	565	635	535	176	116	13	20	PP
56	675	760	590	230	106	11	30	PP
63	750	835	660	220	120	11	30	PP
71	810	885	740	230	140	14,5	30	PP



\*M Metallic Case.  
PP Polypropylene Case..

## DLV Series Performance Curves

