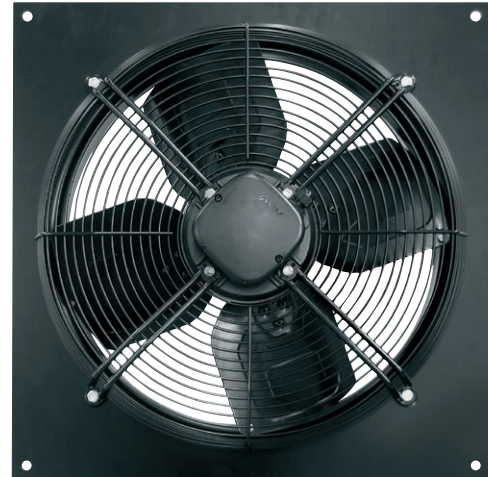


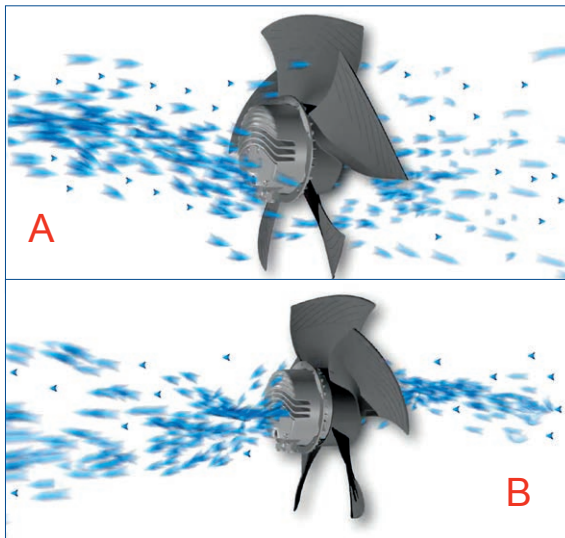
## Axial Fans R Series 900 RPM

- Excellent quality axial fans. Housing of Sheet steel.
- High quality 6 pole external motor with bearings guaranteed for 30.000 hours life expectancy.
- Working temperature: -30°C to 50°C.
- IP 44, IP 54.
- Class F, B.
- Thermal protection: All motors are fitted with internal thermal protection (Klixon) to avoid overheating.
- Fans include protection guard.
- Steel impeller for diameters 300 to 350 mm, and aluminium for diameters 400 to 630 mm.
- Aluminum or plastic gravity grilles available for all fan models.



R 900 230 V Series						
Type	∅ (mm)	Power (W)	Air flow (m³/h)	Noise Level db (A)	Amperage (A)	Price
R13P - 5630P - 6M	560	360	7.100	73	1.65	€ 910,00
R13P - 6325P - 6M	630	400	8.800	70	1.80	€ 975,00

Σειρά R 900 400 V						
Type	∅ (mm)	Power (W)	Air flow (m³/h)	Noise Level db (A)	Amperage (A)	Price
R13P - 5035P - 6T	500	250	6.000	73	0.65	€ 798,00



Airflow direction from motor to impeller (blowing) (A).

**On request:**

Airflow direction from impeller to motor (sucking) (B).

With energy-saving motor. This especially applies to devices with a high duty cycle, such as air conditioning and refrigeration systems.

Contact our technical department for more information.

### Accessories



AK 20 speed controller

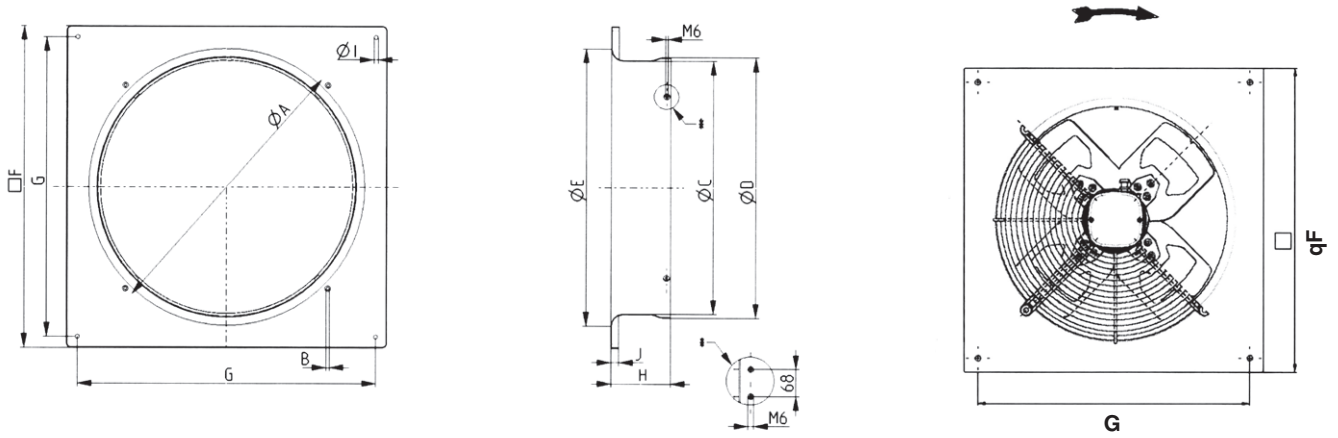


400V Input Voltage Inverter



VK Series gravity grilles

## Dimensions R 900 RPM series

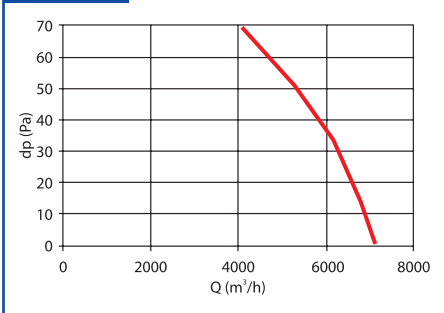


Dimensions

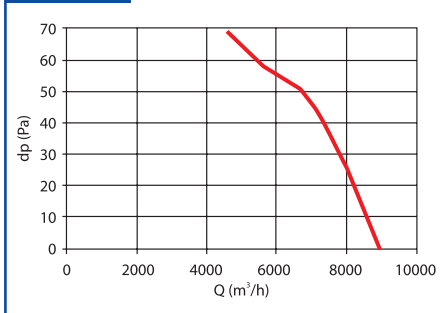
Ø (mm)	A (mm)	B (mm)	C (mm)	D (mm)	E (mm)	qF (mm)	G (mm)	H (mm)	I (mm)	J (mm)
630	750	M8	635	638	675	805	750	60	11	15
560	700	M8	560	563	590	725	675	45	11	15
500	565	M8	504	507	534	655	615	45	11	15

## R 900 RPM Series Performance Curves

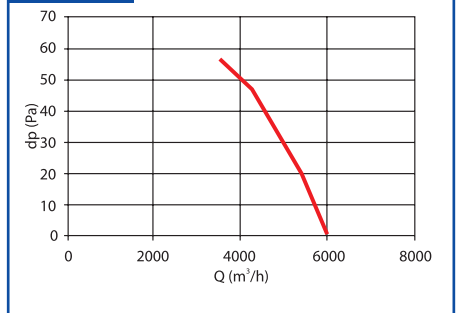
5630P 6M



6325P 6M



5035P 6T



- High quality 6 pole external motor with bearings guaranteed for 30000 hours life expectancy.



- Steel impeller for diameters 300 to 350mm, and aluminium for diameters 400 to 630mm.

