



Axial Fans HJBM Series

- Square plate made of galvanized steel sheet.
- Variable pitch angle polyamide impeller reinforced with fibreglass.
- Supplied with motor support and protection guard according to the ROHS 2002/95/EC Directive (Restriction of the Use of Certain Hazardous Substances in Electrical and Electronic Equipments).
- Standard asynchronous squirrel-cage motor with IP-55 protection (wiring box IP-65) and Class F insulation. Manufactured with standard voltages: 230V 50Hz in single phase motors and 230/400V 50Hz in three phase motors.

Applications:

- Air renewal in buildings and industries.
- Maximum working temperature: single phase 50 C, three phase 60°C.

Under request:

B form impeller (air flow from impeller to motor).
 100% reversible impeller.
 Aluminium impeller.
 60Hz fans and special voltages.

Technical Characteristics HJBM Series

Type	Power (kW)	RPM	Air Flow (m³/h)	Sound db (A)	Weight (Kg)	Price
HJBM 35 M2 0,55kW	0,55	2.800	4.690	59	7,5	€ 556,00
HJBM 35 M4 0,12kW	0,12	1.370	3.100	42	6,5	€ 537,00
HJBM 40 M4 0,18kW	0,18	1.400	4.710	47	9,0	€ 559,00
HJBM 45 M4 0,37kW	0,37	2.800	6.430	48	12,5	€ 758,00
HJBM 50 M4 0,55kW	0,55	1.370	8.170	49	18,0	€ 899,00
HJBM 56 M4 0,75kW	0,75	1.400	10.600	52	22,0	€ 966,00
HJBM 40 M6 0,09kW	0,09	1.400	2.770	36	9,0	€ 609,00
HJBM 50 M6 0,18kW	0,18	1.400	5.290	40	15,0	€ 847,00
HJBM 56 M6 0,25kW	0,25	900	6.840	43	19,0	€ 939,00

Technical Characteristics HJBM Series 400V

Type	Power (kW)	RPM	Air Flow (m³/h)	Sound db (A)	Weight (Kg)	Price
HJBM 35 T2 0,55kW	0,55	2.800	4.690	59	7,5	€ 545,00
HJBM 35 T4 0,12kW	0,12	1.400	3.100	42	6,5	€ 509,00
HJBM 40 T4 0,18kW	0,18	1.400	4.710	47	9,0	€ 544,00
HJBM 45 T4 0,37kW	0,37	1.400	6.430	48	12,5	€ 744,00
HJBM 50 T4 0,55kW	0,55	1.400	8.170	49	18,0	€ 859,00
HJBM 56 T4 0,75kW	0,75	1.390	10.600	52	22,0	€ 893,00
HJBM 40 T6 0,09kW	0,09	840	2.770	36	9,0	€ 601,00
HJBM 50 T6 0,18kW	0,18	900	5.290	40	15,0	€ 832,00
HJBM 56 T6 0,25kW	0,25	900	6.840	43	19,0	€ 850,00

Accessories



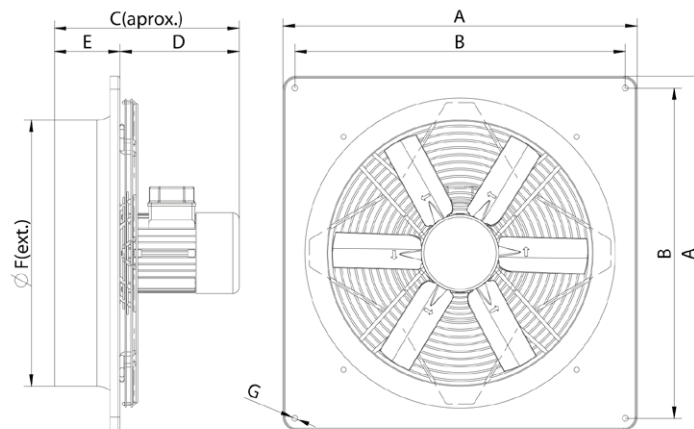
AK 20 speed controller



400V Input Voltage Inverter



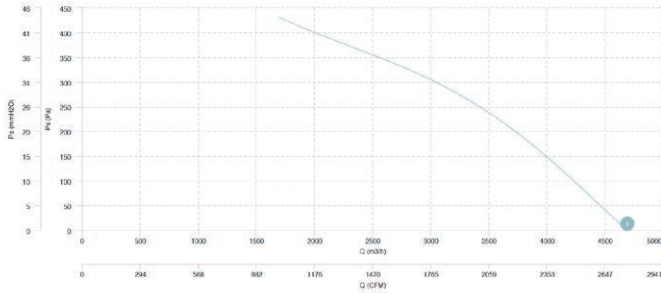
VK Series gravity grilles



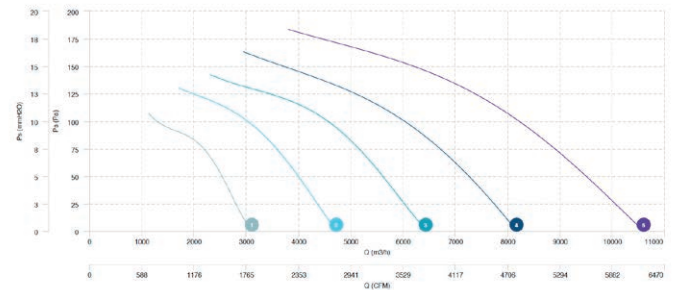
Dimensions HJBM (mm)							
Type	A	B	C	D	E	ØF	ØG
HJBM 35 M2 0,55kW	460	392	297,5	211,5	86	366	9
HJBM 35 M4 0,12kW	460	392	269,8	183,8	86	366	9
HJBM 40 M4 0,18kW	460	392	297,5	211,5	86	366	9
HJBM 45 M4 0,37kW	460	392	269,8	183,8	86	366	9
HJBM 50 M4 0,55kW	540	504	284,3	184,3	100	406	11
HJBM 56 M4 0,75kW	540	504	284,3	184,3	100	406	11
HJBM 40 M6 0,09kW	540	504	284,3	184,3	100	406	11
HJBM 50 M6 0,18kW	540	504	284,3	184,3	100	406	11
HJBM 56 M6 0,25kW	576	521,5	310	210	100	455	11
HJBM 35 T2 0,55kW	576	521,5	310	210	100	455	11
HJBM 35 T4 0,12kW	655	599,4	339,5	219,5	120	508	11
HJBM 40 T4 0,18kW	655	599,4	323,6	203,5	120	508	11
HJBM 45 T4 0,37kW	655	599,4	339,5	219,5	120	508	11
HJBM 50 T4 0,55kW	655	599,4	323,6	203,5	120	508	11
HJBM 56 T4 0,75kW	725	650	339,5	219,5	120	560	11
HJBM 40 T6 0,09kW	725	650	323,5	203,5	120	560	11
HJBM 50 T6 0,18kW	725	650	339,5	219,5	120	560	11
HJBM 56 T6 0,25kW	725	650	323,5	203,5	120	560	11



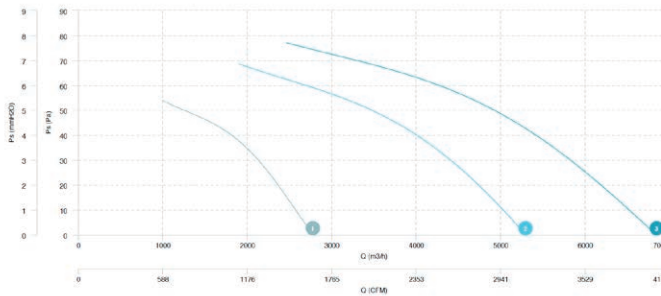
1 HJBM 55 M2 0,55kW



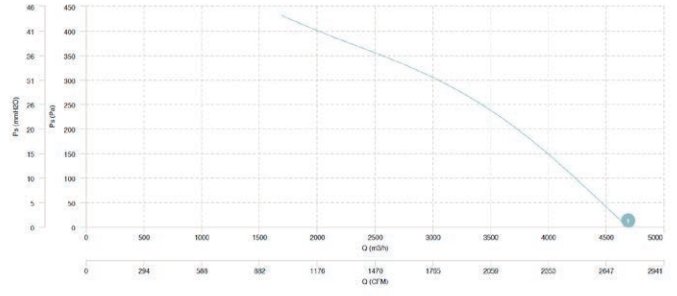
1 HJBM 35 M4 0,12kW 2 HJBM 40 M4 0,18kW 3 HJBM 45 M4 0,37kW 4 HJBM 50 M4 0,55kW
5 HJBM 56 M4 0,75kW



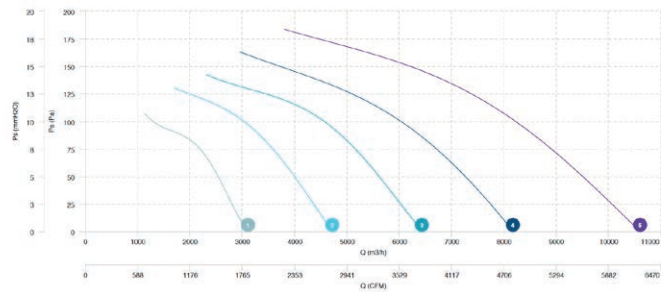
1 HJBM 40 M6 0,09kW 2 HJBM 50 M6 0,18kW 3 HJBM 56 M6 0,25kW



1 HJBM 35 T2 0,55kW



1 HJBM 35 T4 0,12kW 2 HJBM 40 T4 0,18kW 3 HJBM 45 T4 0,37kW 4 HJBM 50 T4 0,55kW
5 HJBM 56 T4 0,75kW



1 HJBM 40 T6 0,09kW 2 HJBM 50 T6 0,18kW 3 HJBM 56 T6 0,25kW

