

## Axial Fans AF Series 400V

- This series comprises 7 model sizes with impeller diameter 315, 355, 400, 450, 500, 560 and 630 mm all complete with the new generation of external rotor motor. The wide range of electrical motors together with the possibility of using different blade angles (25°, 30°, 35° to be specified when ordering) covers an airflow range between 500 m<sup>3</sup>/h and 14.000 m<sup>3</sup>/h.
- Development of this series of fans has been accomplished in accordance with CEE Directives currently in use (06/1995).
- Impeller blades in aluminium - magnesium alloy in accordance with UNI 9005 standard, painted RAL 9005. Statically and dynamically balanced according to UNI ISO 1940.
- Aerodynamic steel wall plate painted RAL 9005. Supporting steel guard, designed in accordance with UNI EN 294, painted RAL 9005.
- External rotor motor with die-casted enclosure in aluminium alloy.
- Terminal box and motor support flange in die cast aluminium alloy.
- Insulation class "F" according to IEC 85. "IP 54" protection according to IEC 34-5.
- All the motors are designed for a nominal voltage of 230V (1 phase) and 400 V (3 phases) 50 Hz, according to IEC 38. Thermal protection according to IEC 335-1.

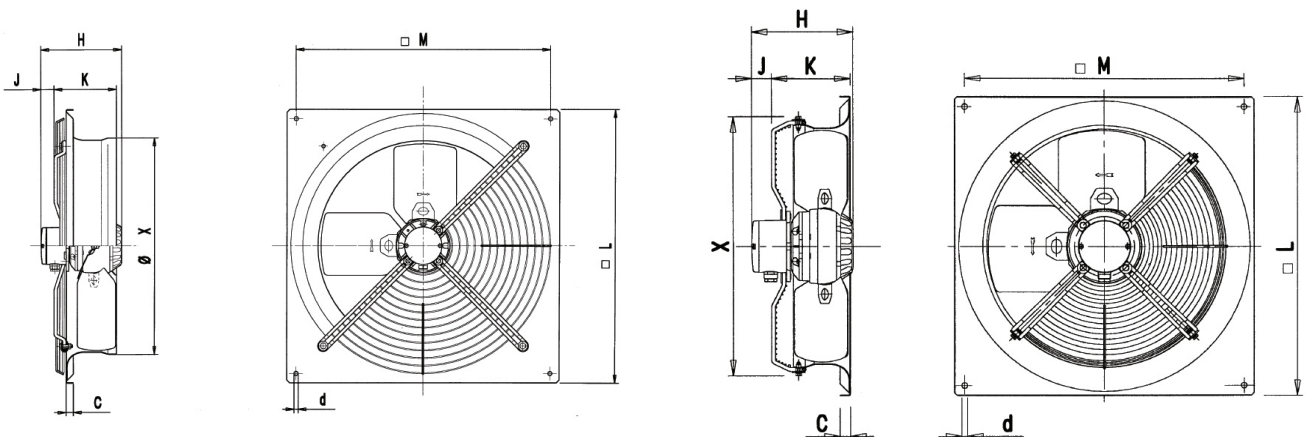


Technical Characteristics AF Series 4T

Type	Power (W)		Air Flow min/max (m <sup>3</sup> /h)		Sound min/max db (A)		T min/max °C	Price
	min	max	min	max	min	max		
AFQ 315-3574-4T-A	125 / 111	80 / 67	1200 / 2000	1100 / 1850	49.0 / 48.8	44.4 / 45.2	-30/ +70	⌘
AFQ 355-30°/4-4T-A	156 / 130	100 / 81	1700 / 2700	1400 / 2400	49.5 / 49.5	43.4 / 45.1	-30/ +70	⌘
AFQ 400-30°/4-4T-B	260 / 208	172/143	2500 / 3900	2100 / 3400	52.3 / 52.3	45.6 / 48.7	-30/ +70	⌘
AFQ 450-30°/4-4T-B	460 / 330	290 / 240	3600 / 6000	2900 / 5000	56.5 / 57.7	51.2 / 53.6	-30/ +70	⌘
AFQ 500-30°/4-4T-B	720 / 560	440 / 390	4700 / 8100	3650 / 6400	61.5 / 61.3	55.3 / 57.1	-30/ +60	⌘
AFQ 560-30°/4-4T-B	1030 / 780	620 / 557	6700 / 10900	4100 / 8800	62.3 / 63.3	56.7 / 57.3	-30/ +70	⌘
AFQ 630-25°/4-4T-B	1230 / 900	850 / 690	8500 / 13900	6100 / 11600	67.3 / 62.0	60.2 / 58.1	-30/ +40	⌘

Τεχνικά Χαρακτηριστικά AF Series 6T ρακτηριστικά 400V 6T

Type	Power (W)		Air Flow min/max (m <sup>3</sup> /h)		Sound min/max db (A)		T min/max °C	Price
	min	max	min	max	min	max		
AFQ 315-35°/6-6T-A	66 / 61	36 / 31	800 / 1300	650 / 1200	37.6 / 37.6	35.4 / 35.4	-30/ +70	⌘
AFQ 355-30°/6-6T-A	79 / 68	42 / 37	1150 / 1850	1000 / 1650	41.0 / 40.5	38.4 / 38.3	-30/ +70	⌘
AFQ 400-30°/6-6T-B	100 / 84	56 / 48	1500 / 2500	1200 / 2200	41.1 / 42.4	36.1 / 39.2	-30/ +70	⌘
AFQ 450-30°/6-6T-B	210 / 178	125 / 106	2600 / 4200	2100 / 3700	48.6 / 50.2	43.9 / 46.7	-30/ +70	⌘
AFQ 500-30°/6-6T-B	270 / 220	153 / 135	3400 / 5500	2700 / 4600	49.5 / 52.3	42.5 / 47.0	-30/ +70	⌘
AFQ 560-30°/6-6T-B	390 / 310	230 / 204	4500 / 7500	3800 / 6100	51.0 / 53.8	44.8 / 50.1	-30/ +70	⌘
AFQ 630-30°/6-6T-B	530 / 460	270 / 260	5500 / 9900	3800 / 7400	54.8 / 54.5	43.6 / 47.4	-30/ +50	⌘



Dimensions Series A (mm)								
Type	X	H	K	J	C	L	M	d
AF 315	318	183	126	57	15	430	380	9
AF 355	358	183	126	57	15	485	435	9
AF 400	403	200	160	40	15	540	490	9
AF 450	466	201	140	60	20	575	535	11
AF 500	518	210 - 216	150	60	20	655	615	11
AF 560	574	216 - 236	167	35	20	725	675	11
AF 630	649	216 - 236	172	30	20	805	750	11

Dimensions Series B (mm)								
Type	X	H	K	J	C	L	M	d
AF 400	445	177 - 181	138	39	15	540	490	9
AF 450	497	207	152	39	20	575	535	11
AF 500	552	207 - 216	162	39	20	655	615	11
AF 560	610	216 - 236	178	37	20	725	675	11
AF 630	685	229 - 236	193	37	20	805	750	11
AF 560	574	216 - 236	167	35	20	725	675	11

