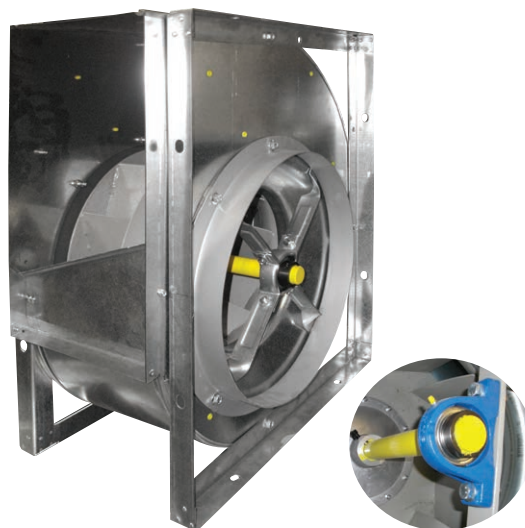


Single Inlet Centrifugal Fans With Forward Curved Impeller Blades - Belt Driven RSH Series

- Without integrated motor.
- V-belt and pulley transmission drive.
- With backward curved impeller.
- Suitable for industrial and commercial applications.
- Robust construction, contained in an “L” shaped support frame.
- Optional operation with or without **Fan Section**.
- Performance curves available for all types.
- Volume up to **72.000 m³/h**.
- Pressure up to **3.300 Pa**.



RSH Series						
Type	Power max kW	max RPM	Weight Kg	Working Temperature °C	Price	
RSH 250 R	3,00	4.600	14	-20°C / +85°C	€	562,00
RSH 280 R	4,00	4.100	18	-20°C / +85°C	€	583,00
RSH 315 R	4,00	3.600	22	-20°C / +85°C	€	647,00
RSH 355 R	5,50	3.300	28	-20°C / +85°C	€	742,00
RSH 400 R	5,50	2.800	32	-20°C / +85°C	€	832,00
RSH 450 R	7,50	2.500	44	-20°C / +85°C	€	986,00
RSH 500 R	7,50	2.200	53	-20°C / +85°C	€	1.198,00
RSH 560 R	11,00	2.000	68	-20°C / +85°C	€	1.431,00
RSH 630 R	11,00	1.700	84	-20°C / +85°C	€	1.606,00
RSH 710 K	15,00	1.500	192	-20°C / +100°C	€	2.396,00
RSH 800 K	15,00	1.200	234	-20°C / +100°C	€	2.801,00
RSH 900 K	22,00	1.100	289	-20°C / +100°C	€	3.419,00
RSH 1000 K	30,00	1.000	335	-20°C / +100°C	€	3.880,00



Accessories



Belts & Pulleys for Belt Driven Fans



230V Input Voltage Inverter



400V Input Voltage Inverter



Electric motors

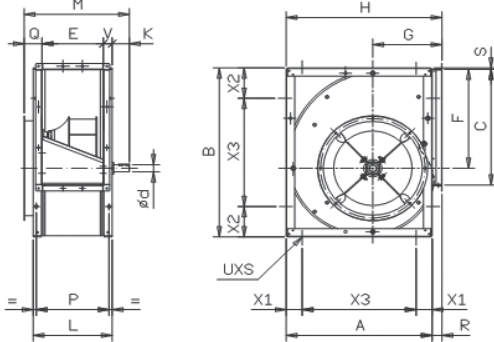


Sound Barriers For Rectangular Duct Systems

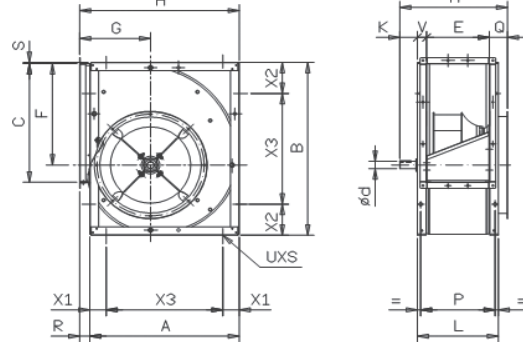


Electric Motor Mounting Bases For Belt Driven Fans

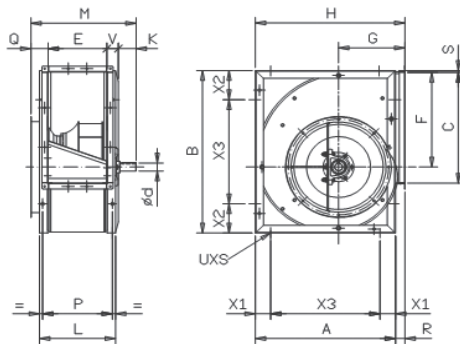
RSH R - LG



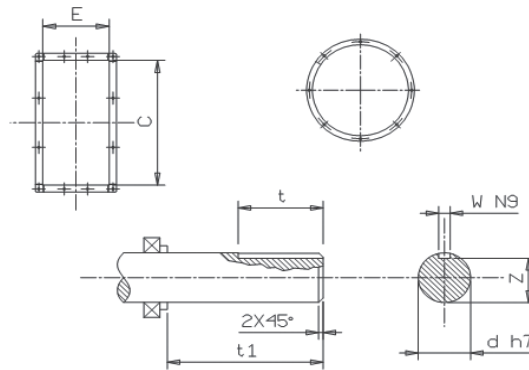
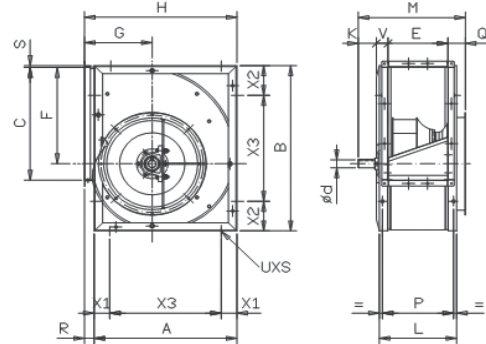
RSH R - RD



RSH K - LG



RSH K - RD



Dimensions Series RSH

Type	A (mm)	B (mm)	C (mm)	E (mm)	F (mm)	G (mm)	H (mm)	L (mm)	M (mm)	P (mm)	Q (mm)	R (mm)	S (mm)	V (mm)	K (mm)	X1 (mm)	X2 (mm)	X3 (mm)	t (mm)	t1 (mm)	w (mm)	z (mm)	d (mm)	usx (mm)
RSH 250 R	306	370	257	131	215	164	343	181	295	161	80	37	4	25	59	41	73	224	30	54	6	16,5	20	11x16
RSH 280 R	345	415	287	146	242	180	382	196	310	176	80	37	4	25	59	61	96	224	30	54	6	16,5	20	11x16
RSH 315 R	381	461	321	164	269	195	419	214	328	194	80	38	4	25	59	79	119	224	30	53	6	16,5	20	11x16
RSH 355 R	429	518	360	183	302	215	466	243	357	213	80	37	5	30	64	74,5	119	280	40	57	8	21	25	13x18
RSH 400 R	480	578	403	205	339	236	518	265	379	235	80	38	4	30	64	100	149	280	40	56	8	21	25	13x18
RSH 450 R	544	655	451	229	383	261	578	309	421	269	80	34	7	40	72	95,4	150	355	40	75	8	26	30	13x18
RSH 500 R	609	736	505	256	431	290	649	336	448	296	80	40	5	40	72	127	191	355	40	69	8	26	30	13x18
RSH 560 R	679	827	567	288	485	322	725	368	488	338	80	46	6	40	80	74,5	149	530	50	74	10	30	35	13x18
RSH 630 R	748	918	636	322	538	352	799	402	522	372	80	51	6	40	80	109	194	530	50	72	10	30	35	13x18
RSH 710 K	841	1030	713	361	603	390	891	461	579	411	80	50	8	50	88	155,5	250	530	70	89	12	35	40	13x18
RSH 800 K	940	1157	802	404	679	434	996	504	622	454	80	56	7	50	88	205	314	530	70	89	12	35	40	13x18
RSH 900 K	1050	1303	899	453	765	485	1121	553	749	503	122	71	7	50	124	210	337	630	90	106	14	44,5	50	17x22
RSH 1000 K	1181	1468	1008	507	862	540	1255	607	803	557	122	74	8	50	124	236	379	710	90	106	14	44,5	50	17x22