

AT S



AT AR



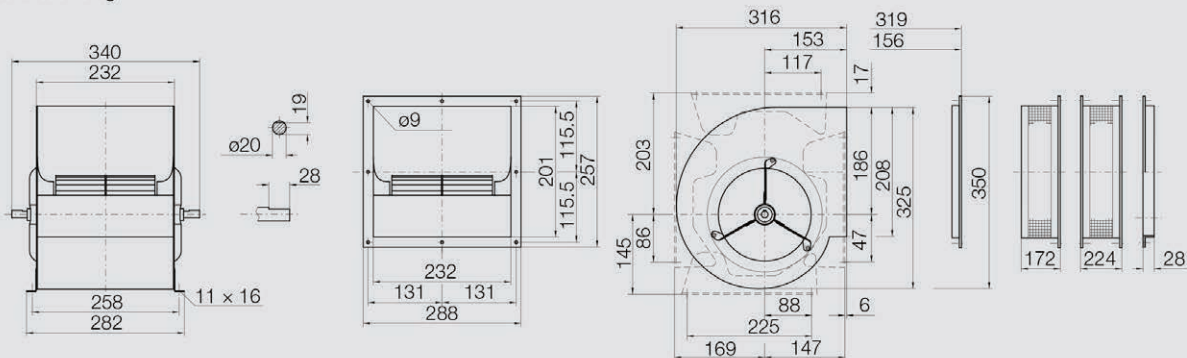
AT TIC

## Belt Driven Centrifugal Fans With Forward Curved Impeller Blades AT Series (Double Inlet)

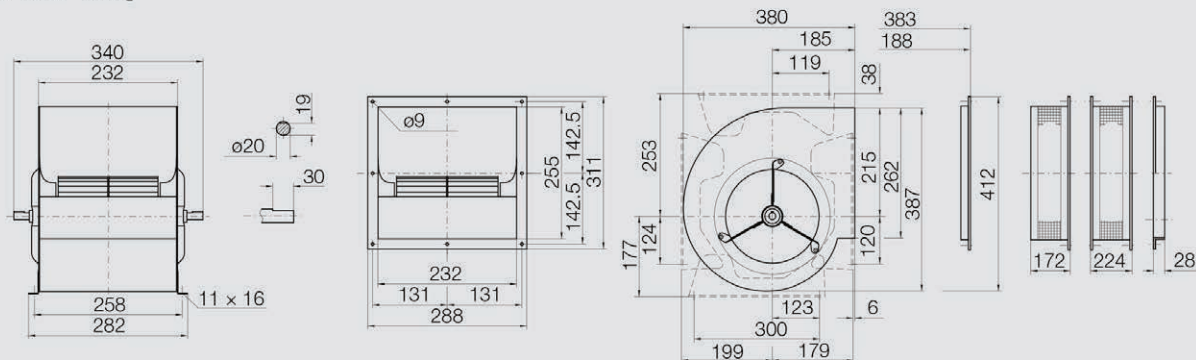
- This kind of fans are specially conceived for mechanical ventilation, at temperatures from 20 °C to +40 °C on S models, or up to 100 °C on AR, TIC models.
- Airflow up to 180.000 m<sup>3</sup>/h.
- Total pressure up to 1.400 Pa.
- Without integrated motor.
- Housing of galvanized sheet steel.
- V-belt and pulley transmission drive.
- Impeller with forward curved blades of galvanized steel optimized for the best efficiency and quietness.
- Impeller size (diameter/width) from 7/7 to 30/28.
- Optional mounting inside a Fan Section.
- Performance curves available for all types.

AT Series					
Type	Power (max) (kW)	RPM (max)	Working Temperature °C	Weight (Kg)	Price
AT S 7/7	3	2.600	-20°C / +85°C	5,0	☒
AT S 9/7	3	2.500	-20°C / +85°C	6,6	☒
AT S 9/9	3	2.100	-20°C / +85°C	7,9	☒
AT S 10/8	3	2.500	-20°C / +85°C	8,3	☒
AT S 10/10	4	2.000	-20°C / +85°C	9,3	☒
AT S 12/9	5,5	2.000	-20°C / +85°C	12,7	☒
AT S 12/12	5,5	1.500	-20°C / +85°C	15,2	☒
AT AR 12/12	11	1.500	-20°C / +100°C	18,4	☒
AT S 15/11	5,5	2.000	-20°C / +85°C	17,7	☒
AT AR 15/11	11	2.000	-20°C / +100°C	20,9	☒
AT S 15/15	5,5	1.200	-20°C / +85°C	20,6	☒
AT AR 15/15	11	1.200	-20°C / +100°C	24,5	☒
AT S 18/13	7,5	1.200	-20°C / +85°C	27,0	☒
AT AR 18/13	15	1.200	-20°C / +100°C	33,0	☒
AT S 18/18	7,5	1.100	-20°C / +85°C	32,5	☒
AT AR 18/18	15	1.100	-20°C / +100°C	38,2	☒
AT TIC 20/15	15	1.200	-20°C / +100°C	71,0	☒
AT TIC 20/20	15	1.300	-20°C / +100°C	78,0	☒
AT TIC 22/15	15	1.300	-20°C / +100°C	73,0	☒
AT TIC 22/22	15	1.200	-20°C / +100°C	82,5	☒
AT TIC 25/20	15	1.000	-20°C / +100°C	93,0	☒
AT TIC 25/25	15	900	-20°C / +100°C	105,0	☒
AT TIC 28/20	18,5	800	-20°C / +100°C	120	☒
AT TIC 28/28	18,5	800	-20°C / +100°C	127	☒
AT TIC 30/20	18,5	800	-20°C / +100°C	131	☒
AT TIC 30/28	18,5	800	-20°C / +100°C	138	☒

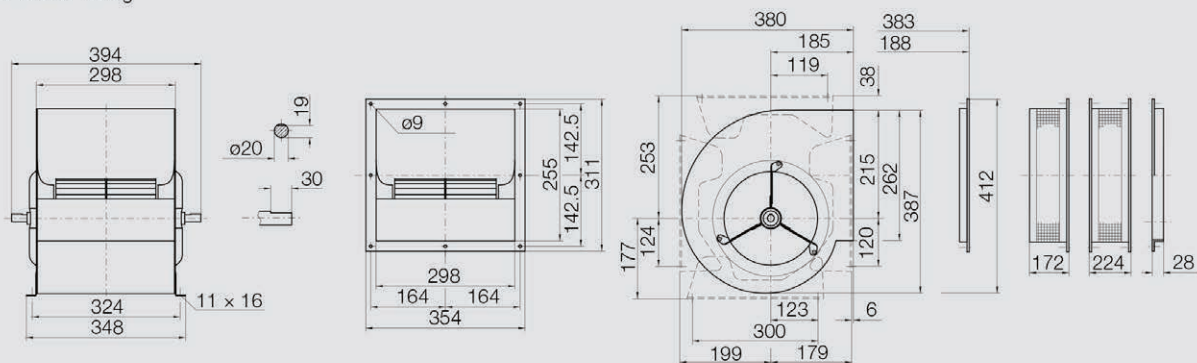
**AT S-7/7** 5 kg



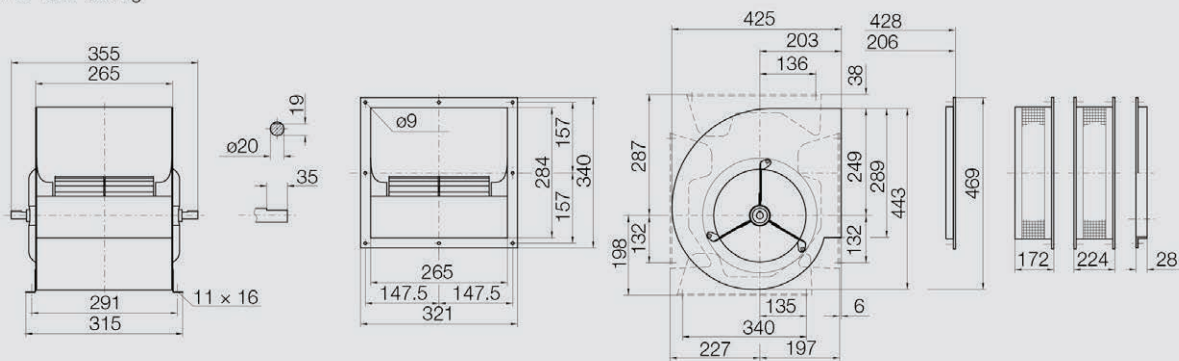
**AT S-9/7** 6.6 kg



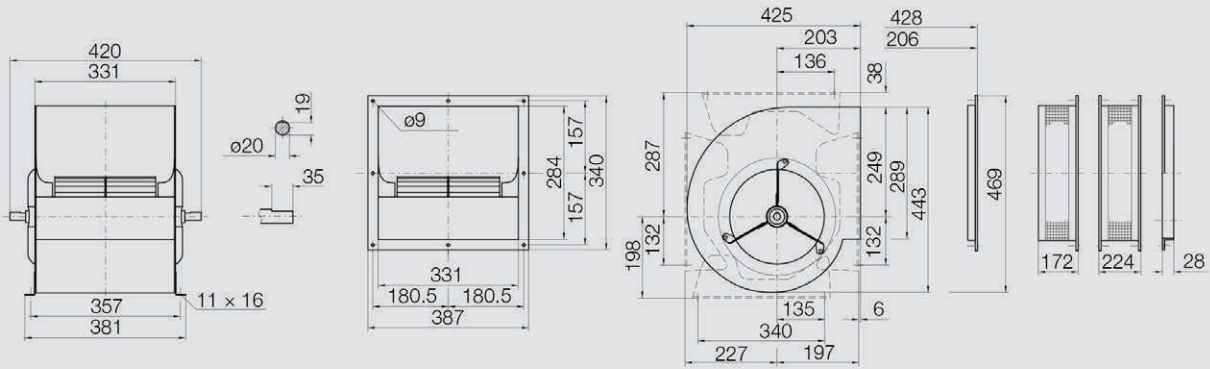
**AT S-9/9** 7.9 kg



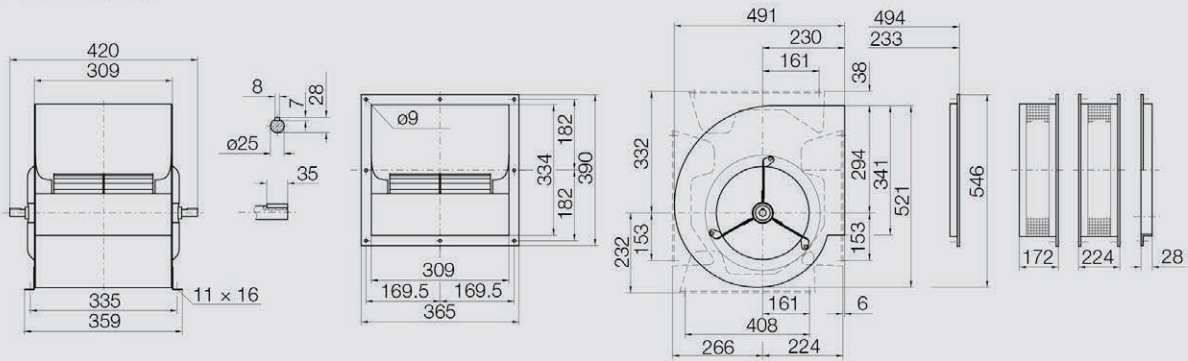
**AT S-10/8** 8.3 kg



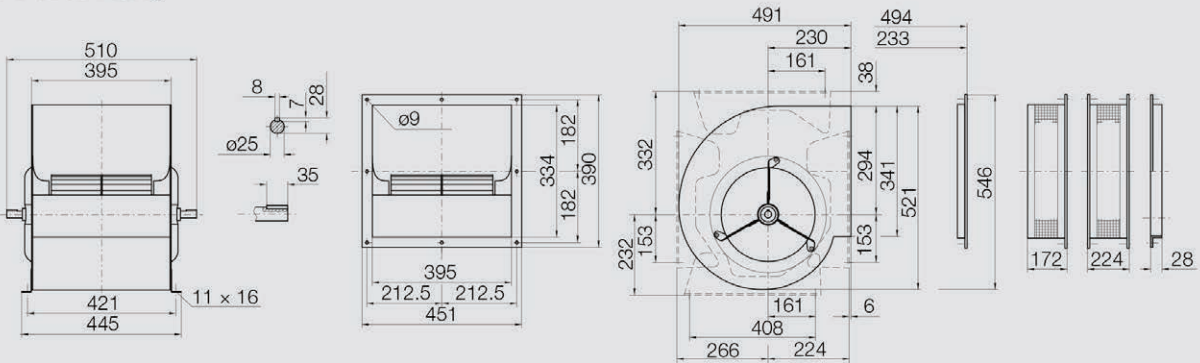
**AT S-10/10** 9.3 kg



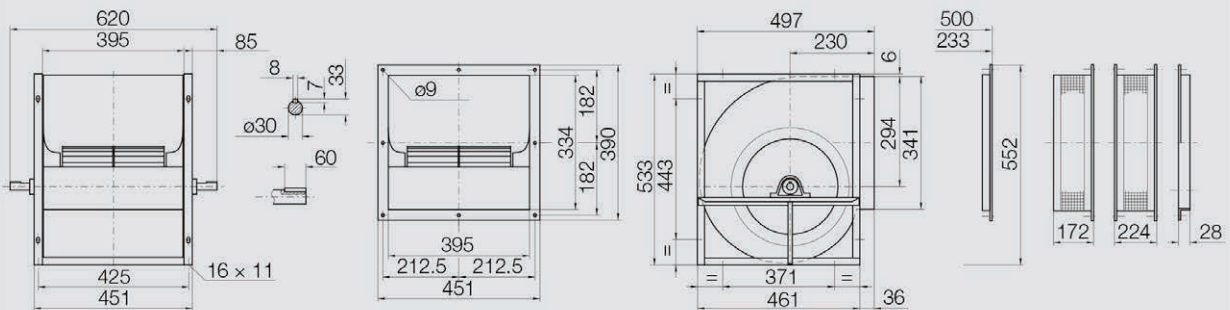
**AT S-12/9** 12.7 kg



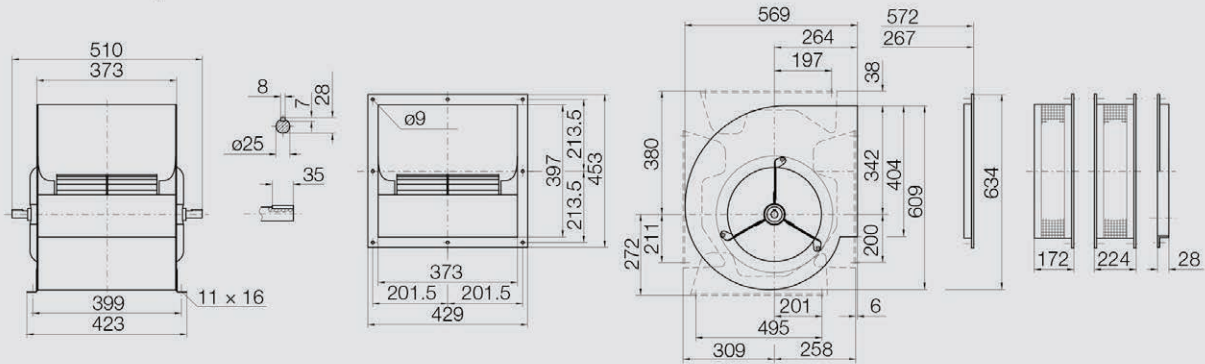
**AT S-12/12** 15.2 kg



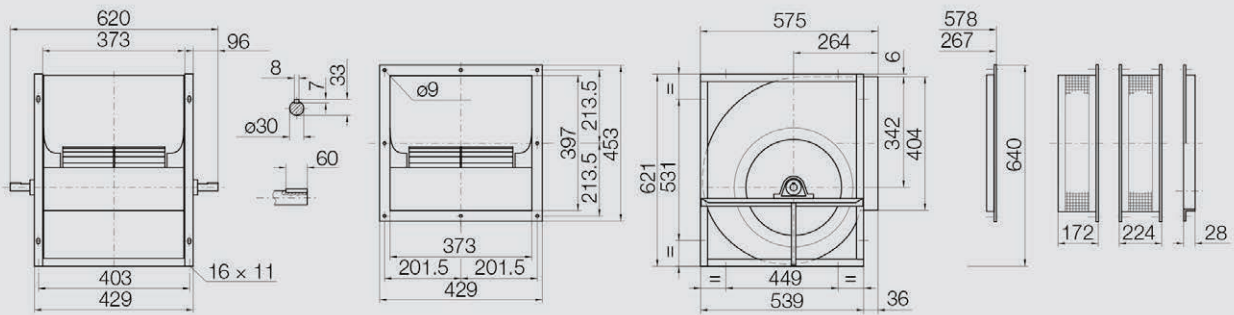
**AT AR-12/12** 18.4 kg



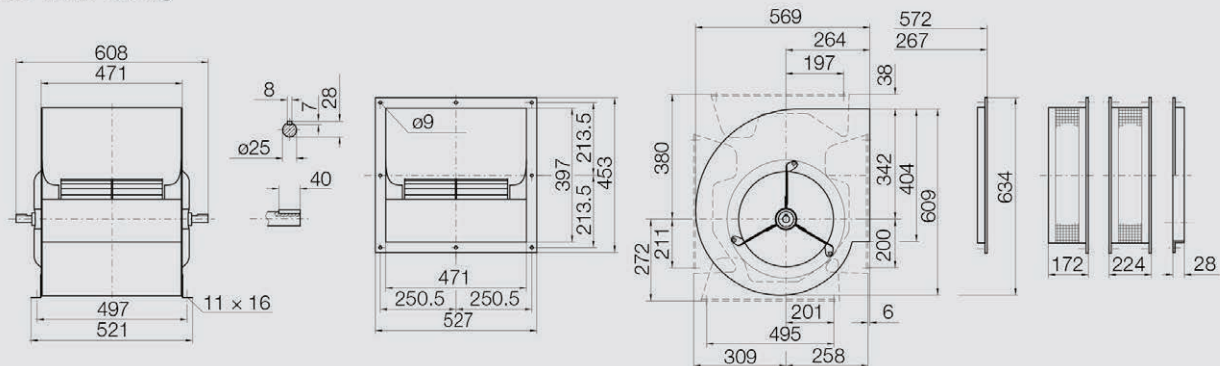
**AT S-15/11** 17.7 kg



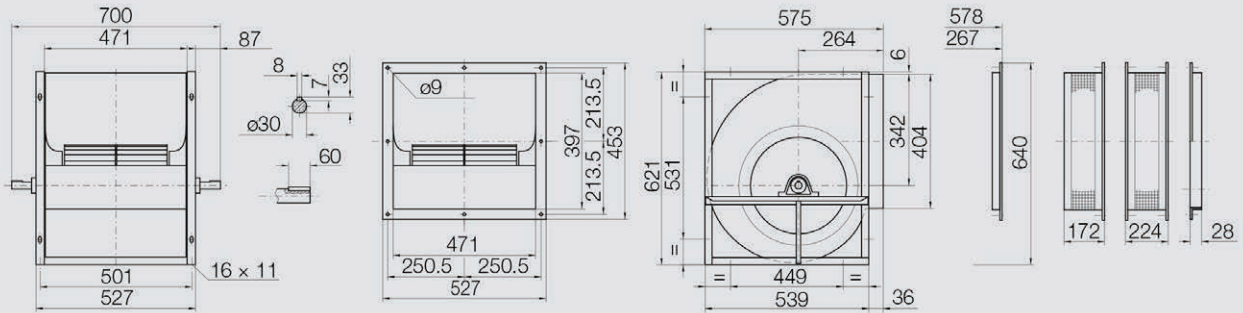
**AT AR-15/11** 20.9 kg



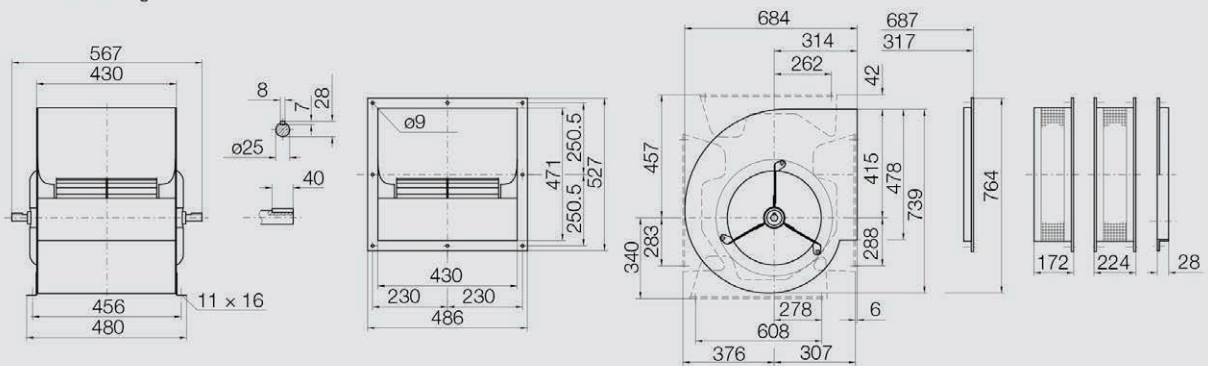
**AT S-15/15** 20.6 kg



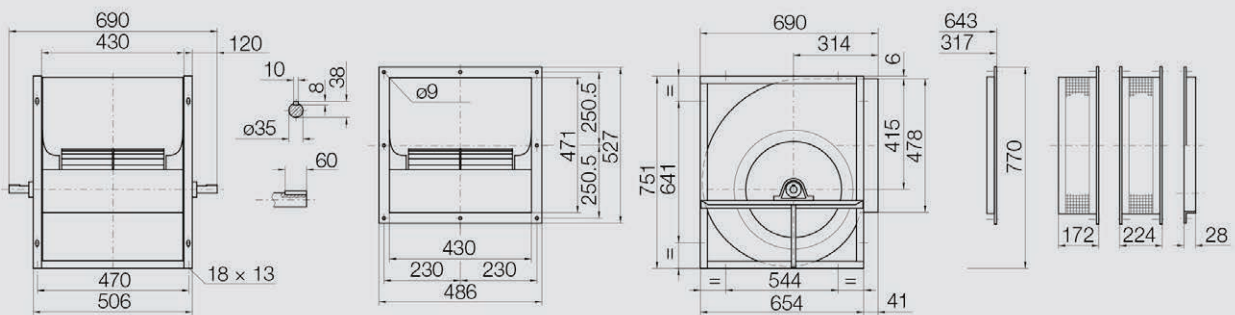
**AT AR-15/15** 24.5 kg



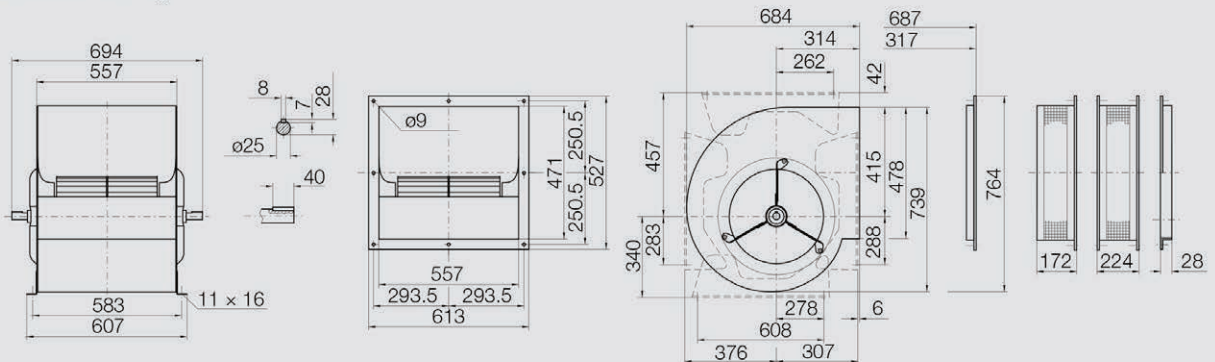
**AT S-18/13** 27 kg



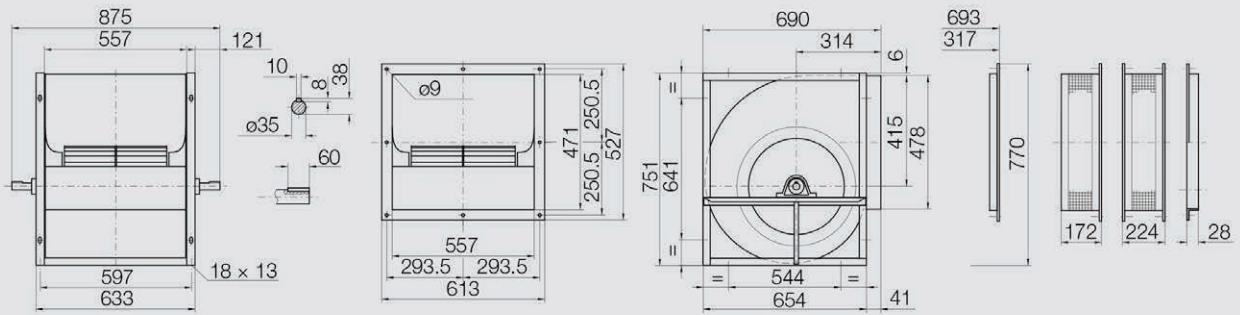
**AT AR-18/13** 33 kg



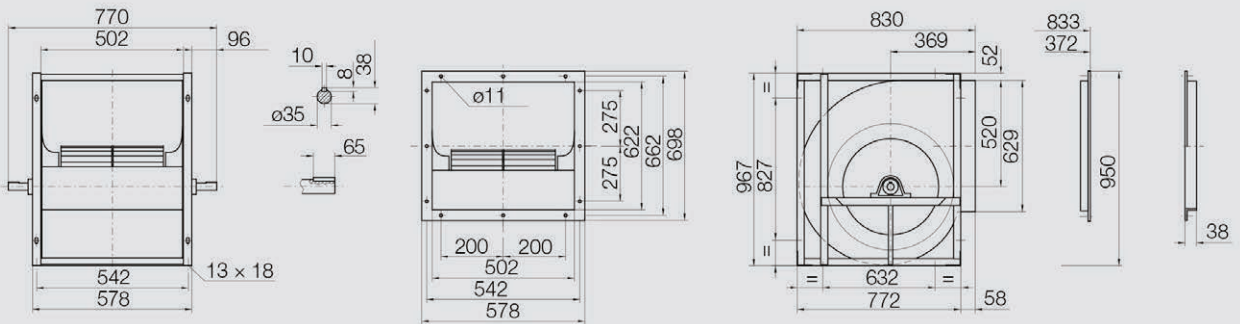
**AT S-18/18** 32.5 kg



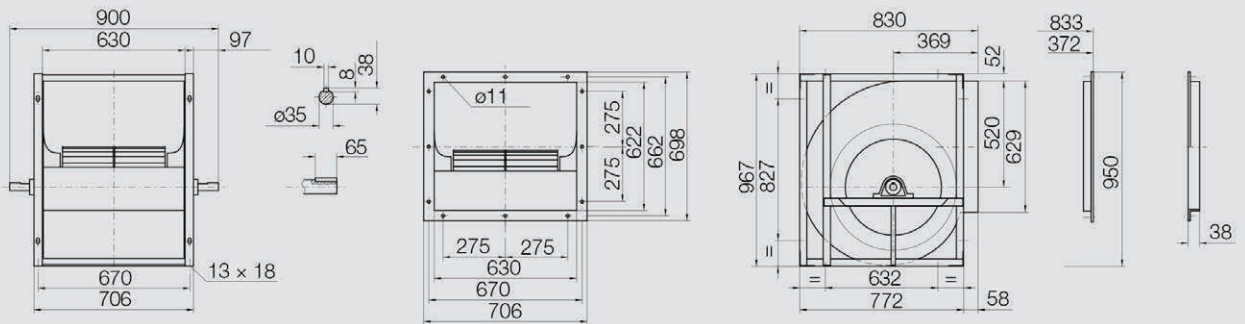
**AT AR-18/18** 38.2 kg



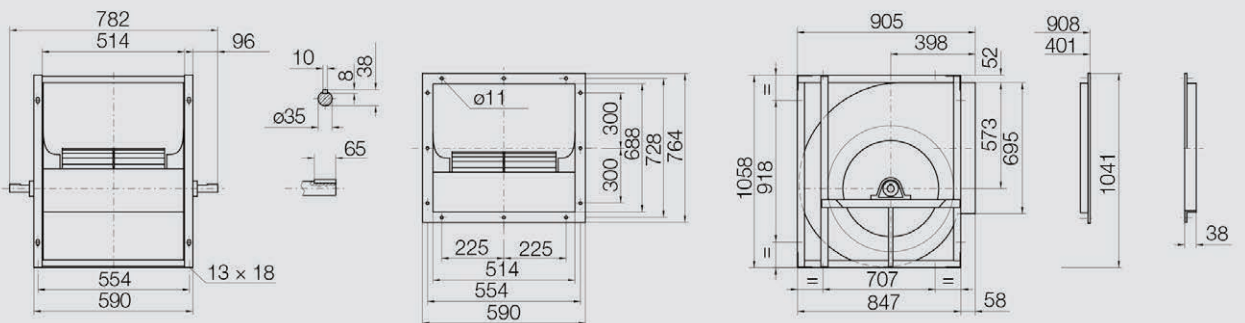
**AT TIC-20/15** 71 kg



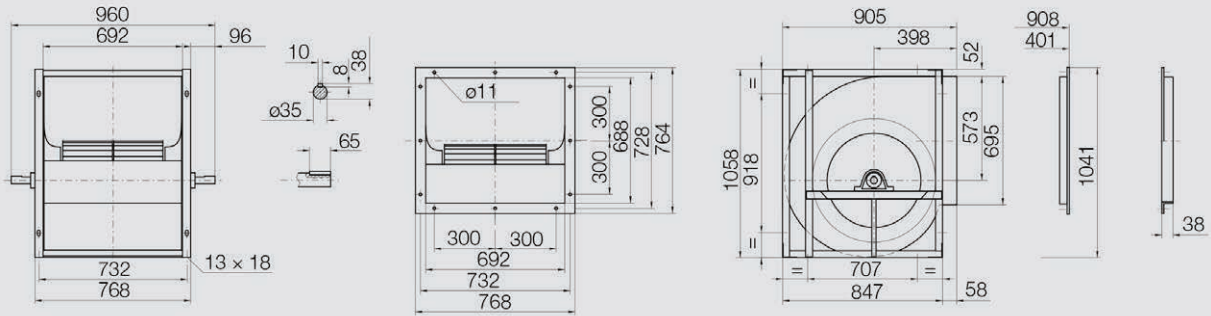
**AT TIC-20/20** 78 kg



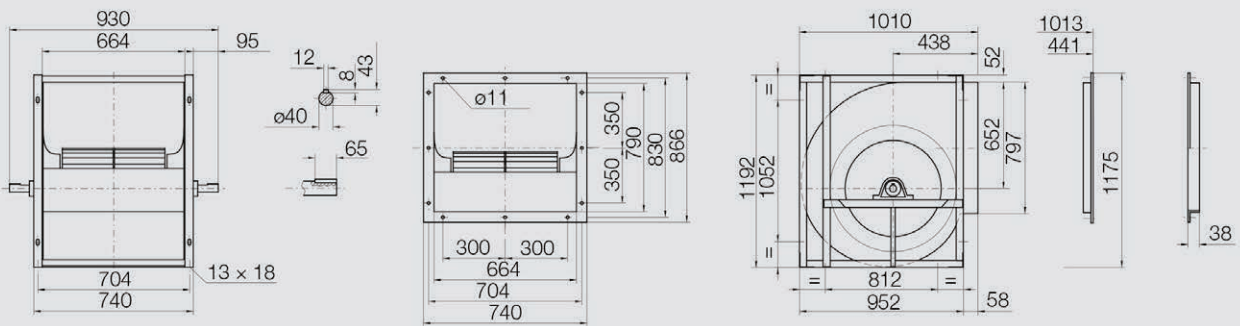
**AT TIC-22/15** 73 kg



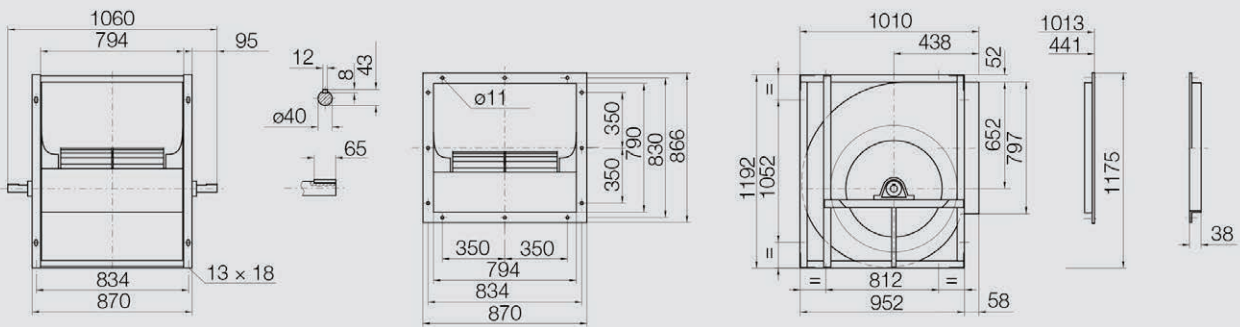
**AT TIC-22/22** 82.5 kg



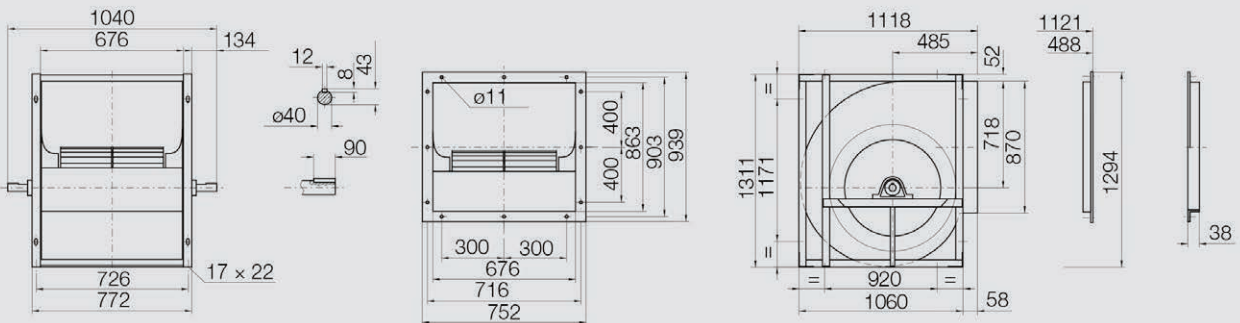
**AT TIC-25/20** 93 kg



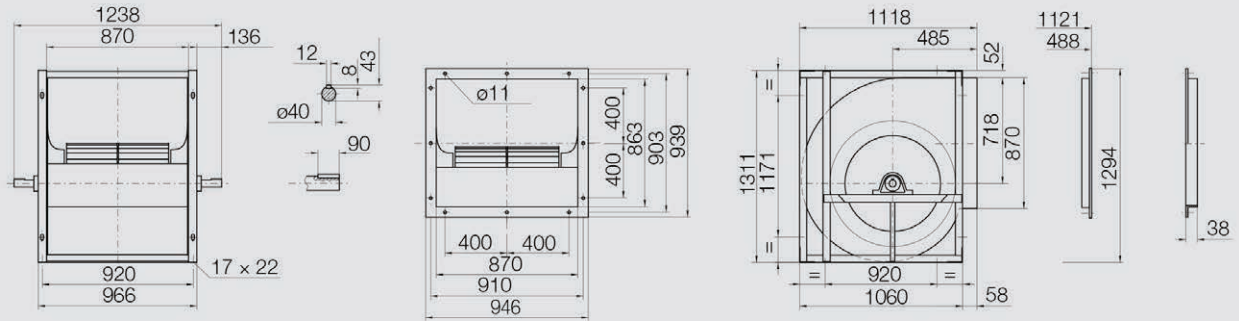
**AT TIC-25/25** 105 kg



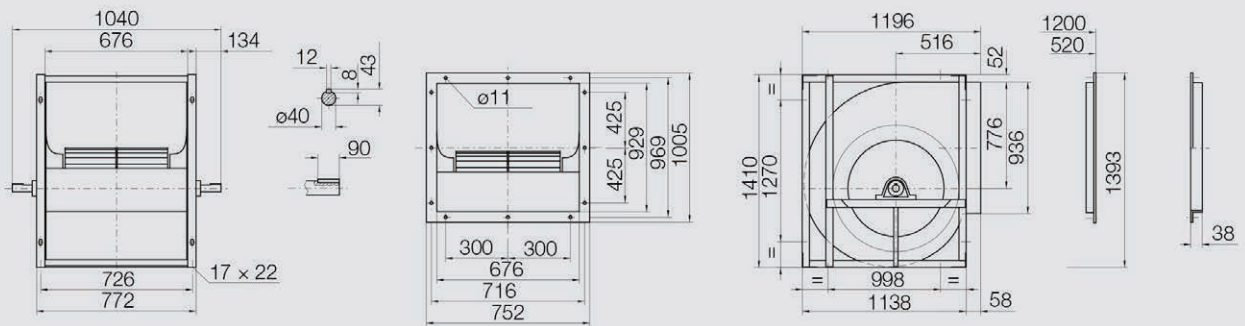
**AT TIC-28/20** 120 kg



**AT TIC-28/28** 127 kg



**AT TIC-30/20** 131 kg



**AT TIC-30/28** 138 kg

