



1400 RPM 1 Speed Double Inlet centrifugal Fans (Direct Drive) SVDA Series

- One speed direct driven centrifugal fans.
- Housing made of pressed steel sheet protected by electrostatic, epoxy paint.
- Impeller with forward curved blades of galvanised steel plate.
- 230V/50Hz, Class B.
- According to EN 60335-1 EN 60335-2-80.

Under request:

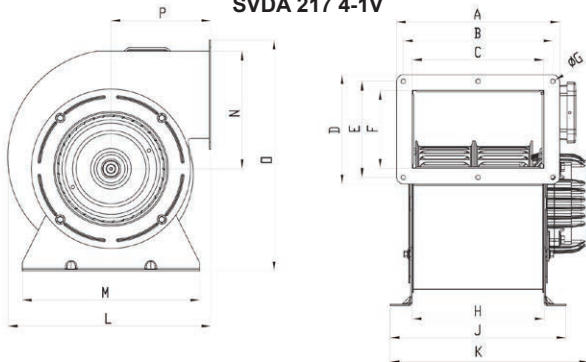
Fan mounting inside a Fan Section (F/S).
 Optionally any special construction in F/S such as: Inlet necks, rain protection outlet grid etc.
 Additional improved double walled insulation etc.

Application: Greenhouses, factories, depots, dye houses, shopping centers, workshop plants etc.

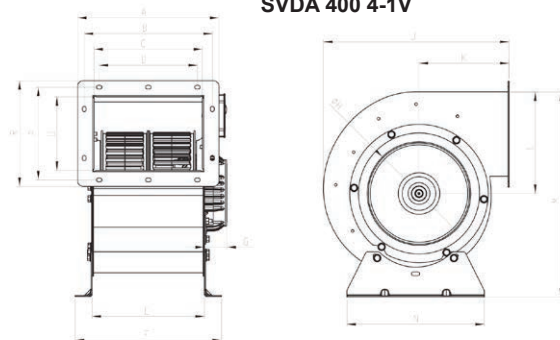
Technical Characteristics SVDA 1400 RPM / 230V 1 Speed

Type	Power (W)	RPM	Air Flow (m ³ /h)	Sound db (A)	Weight (Kg)	Fan Price	Fan Section Dimensions F/S (cm)	Price Assembled F/S
SVDA 217 4-1V	217	1.420	1.300	50	9	€ 205,00	40 X 40 X 40	€ 305,00
SVDA 400 4-1V	400	1.250	2.200	60	10,3	€ 225,00	50 X 50 X 50	€ 345,00

SVDA 217 4-1V



SVDA 400 4-1V



Dimensions SVDA 1400 RPM µε 1 speed

Type	A	B	C	D	E	F	G	H	J	K	L	M	N	O	P	R
SVDA 217 4-1V	232	213	187	155	137	111	7	188	250	282	288	252	167	328	142	-
SVDA 400 4-1V	258	234	197	180	210	269	41	190	339	160	189	396	252	133	169	194

