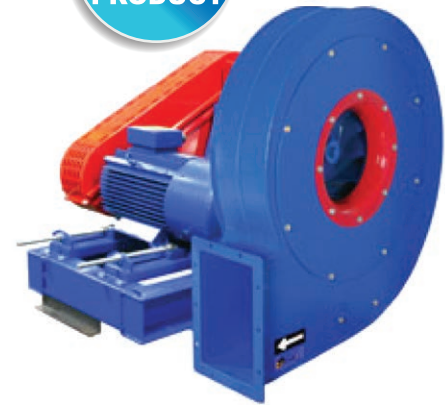


Centrifugal High Pressure Belt Driven Fans AATVG/N Series

- Fan made of Fe360 sheet. The fan paint finish is based on a Qualicoat polyester powder coating stoved at 200°C, with an average film thickness of 70 microns. Average heat resistance of coating is 180°C with peaks of 200°C.
- Fully welded housing.
- High efficiency simple inlet backward curved impeller made of Fe360 sheet statically and dynamically balanced. Impellers are painted with epoxy primer that resists temperatures up to 300 C.
- Motorized fan with basement (sist 12). Full equipped fans including: motor, pulleys, belts, belts guard and shaft guard. Fitted over a base plate.
- Standard orientation LG270.



Under request:

60Hz fans and special voltages.

2 speed motors.

Fan with free shaft (configuration 1) or with motor supported on the pedestal side (configuration 9).

Flameproof or explosionproof fans with ATEX certificated motors.

Fan for air working temperatures up to 350°C with R/R (cooling impeller).

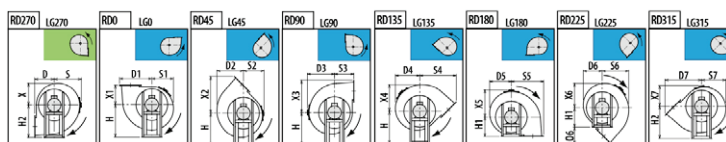
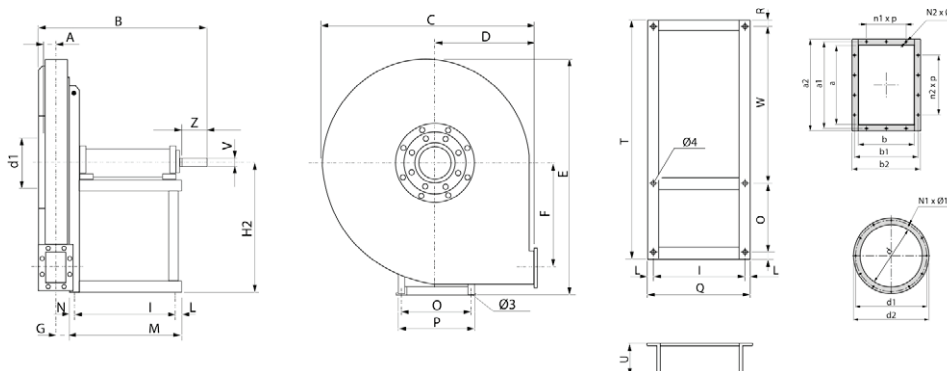
Hot-dipped galvanised or stainless steel fans.

Designed for inline installation, they are suitable for Industrial applications, extraction or injection of air. Cooling of machines and parts. Exhaust after filters, separators and cyclones. Pneumatic transport. Slightly dusty air transport. Maximum working temperature: carried air: 200°C, ambient: 60°C.

Technical Characteristics AATVG/N Series

Type	Power (kW)	RPM max.	Air Flow (m³/h) max.	Sound db (A) (sist.1)	Weight (Kg) (sist.1)	Price* (sist.1)
AATVG/N 450 (sist.1)	7,50	1800 – 3500	1.870	59	73,0	€ 3.556,00
AATVG/N 500 (sist.1)	15,00	1800 – 3500	2.540	61	88,0	€ 4.290,00
AATVG/N 560 (sist.1)	18,50	1600 - 3500	3.650	64	115,0	€ 5.242,00
AATVG/N 630 (sist.1)	30,00	1600 – 3500	5.190	67	155,0	€ 5.906,00
AATVG/N 710 (sist.1)	45,00	1450 – 3500	9.320	73	237,0	€ 7.691,00
AATVG/N 800 (sist.1)	55,00	1450 – 3500	11.780	76	279,0	€ 10.288,00
AATVG/N 900 (sist.1)	90,00	1250 - 3100	16.190	74	436,0	€ 13.005,00
AATVG/N 1000 (sist.1)	132,00	1250 – 2900	21.090	75	590,0	€ 17.236,00

*The fan is supplied with free axle (sist.1), that is: without motor, pulleys or belts or with motor and transmission set (sist.9 and 12).



Dimensions AATVGN (mm)

Type	A	B	C	D	D1	D2	D3	D4	D5	D6	D7	E	F	G	H	H1
AATVG/N 450	65	719	675	300	393	350	375	335	312	319	490	712	285	56	400	300
AATVG/N 500	71	734	745	335	436	386	410	370	344	350	546	794	318	63	450	335
AATVG/N 560	78	850	835	375	488	438	460	418	393	392	613	893	360	71	500	375
AATVG/N 630	86	868	940	425	545	493	515	472	441	438	688	1001	406	79	560	425

Dimensions AATVGN (mm)

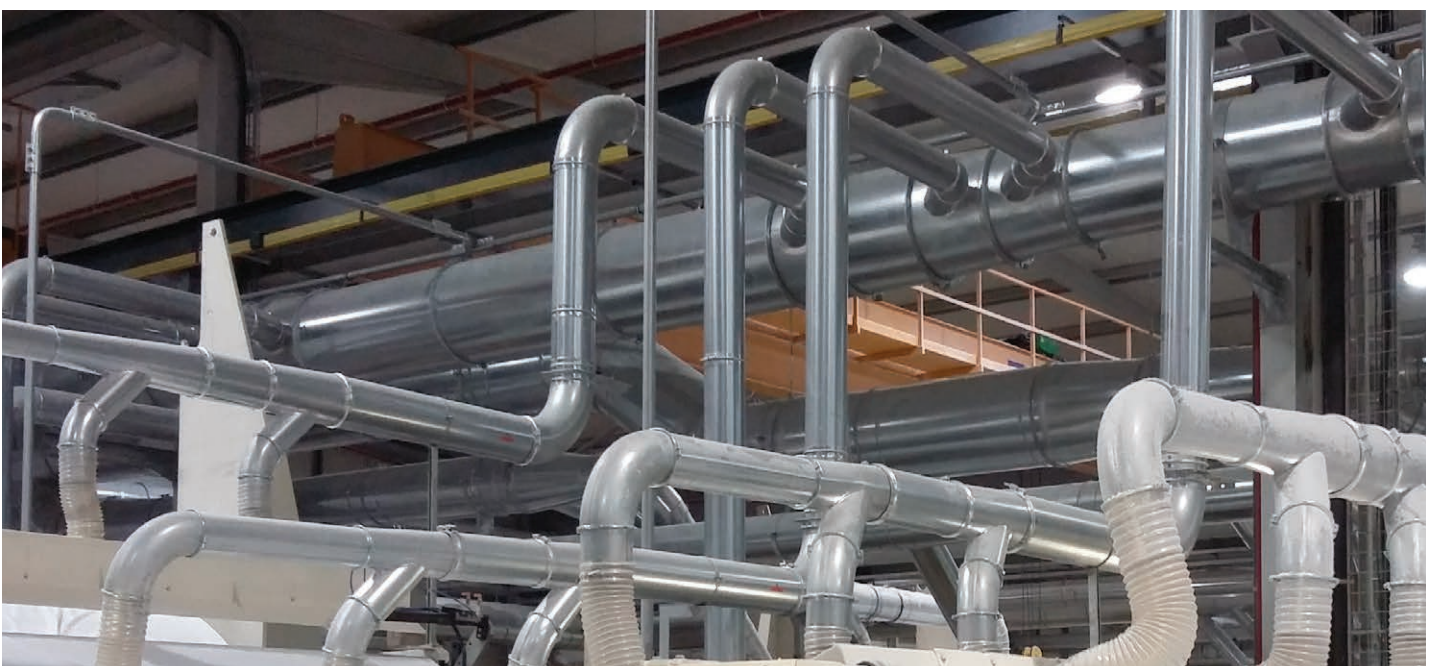
Type	H2	I	L	M	N	N1x01	N2x02	O	Ø6	P	Q	R	S	S1	S2	S3
AATVG/N 450	400	407	28	485	50	8x8	6x12	355	190	400	463	23	375	312	319	300
AATVG/N 500	450	407	28	485	50	8x8	6x12	355	211	400	463	23	410	344	350	335
AATVG/N 560	500	477	33	560	50	8x10	6x12	364	238	418	543	27	460	393	392	375
AATVG/N 630	560	477	33	560	50	8x12	8x12	364	263	418	543					

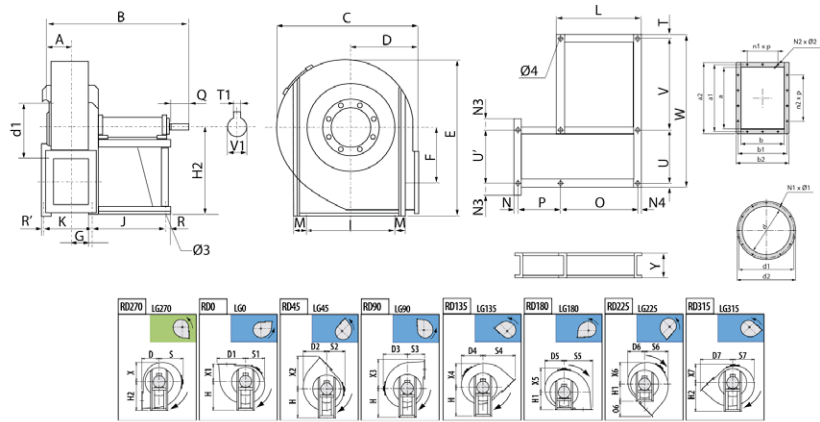
Dimensions AATVGN (mm)

Type	S4	S5	S6	S7	T	U	V	W	X	X1	X2	X3	X4	X5	X6	X7
AATVG/N 450	490	393	350	335	1060	120	38	660	312	300	490	393	350	375	335	319
AATVG/N 500	546	436	386	370	1180	120	38	780	344	335	546	436	386	410	370	350
AATVG/N 560	613	488	438	418	1250	160	42	832	393	375	613	488	438	460	418	392
AATVG/N 630					1250	160	48	832	441	425	688	545	493	515	472	438

Dimensions AATVGN (mm)

Type	Z	a	a1	a2	b	b1	b2	d	d1	d2	n1xp	n2xp	Ø3	Ø4
AATVG/N 450	80	146	182	216	105	139	175	205	241	275	-	1x112	14	14
AATVG/N 500	80	166	200	236	117	151	187	228	265	298	-	1x112	14	14
AATVG/N 560	110	185	219	255	131	165	201	255	292	325	-	1x112	17	17
AATVG/N 630	110	207	241	277	148	182	218	285	332	365	1x112	1x112	17	17





Dimensions AATVGN (mm)

Type	A	B	C	D	D1	D2	D3	D4	D5	D6	D7	E	F	G	H	H1
AATVG/N 710	102	996	1045	475	605	547	570	522	494	489	767	1124	454	150,5	630	475
AATVG/N 800	109	1026	1170	530	677	622	640	592	555	545	854	1265	513	170,5	710	530
AATVG/N 900	119	1189	1315	600	762	696	715	668	628	617	963	1428	578	196,5	800	600
AATVG/N 1000	137	1376	1460	670	849	805	790	765	691	640	1074	1591	648	233,5	900	670

Dimensions AATVGN (mm)

Type	H2	I	J	K	L	M	N	N1x01	N2x02	N3	N4	O	Ø6	P	Q	R
AATVG/N 710	550	526	551	261	629	32	20	8x12	8x12	63	39	551	292	261	110	39
AATVG/N 800	620	551	551	281	629	32	30	8x12	10x12	93	39	551	324	281	110	39
AATVG/N 900	695	663	607	303	697	36	45	12x12	10x12	116	45	607	363	303	140	45
AATVG/N 1000	770	850	760	367	850	55	50	12x12	10x12	112,5	45	760	404	367	140	45

Dimensions AATVGN (mm)

Type	R'	S	S1	S2	S3	S4	S5	S6	S7	T	T1	U	U'	V	V1	X
AATVG/N 710	20	570	494	489	475	767	605	547	522	32	14	526	570	1010	48	494
AATVG/N 800	30	640	555	545	530	854	677	622	592	32	16	526	600	1010	55	555
AATVG/N 900	45	715	628	617	600	963	762	696	668	36	18	663	663	1065	65	628
AATVG/N 1000	50	790	691	640	670	1074	849	805	765	55	20	850	780	1240	75	691

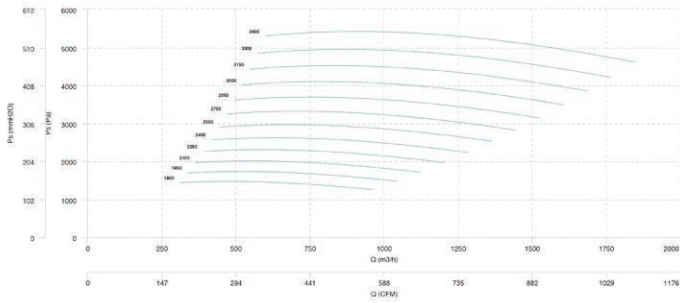
Dimensions AATVGN (mm)

Type	X1	X2	X3	X4	X5	X6	X7	Y	a	a1	a2	b	b1	b2	d	d1
AATVG/N 710	475	767	605	547	570	522	489	180	231	265	301	166	200	236	320	366
AATVG/N 800	530	854	677	622	640	592	545	180	258	292	328	185	219	255	360	405
AATVG/N 900	600	963	762	696	715	668	617	200	288	332	368	205	249	285	405	448
AATVG/N 1000	670	1074	849	805	790	765	640	200	322	366	402	229	273	309	455	497

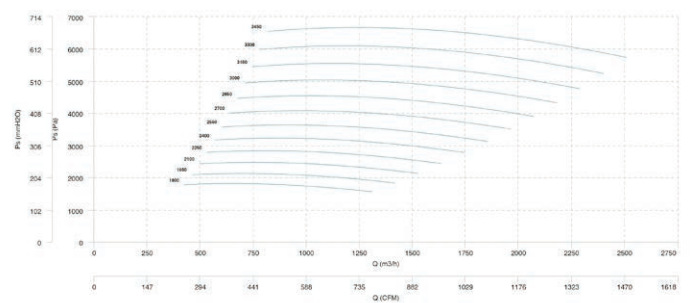
Dimensions AATVC (mm)

Type	d2	n1xp	n2xp	Ø3	Ø4
AATVG/N 710	400	1x112	1x112	19	19
AATVG/N 800	440	1x112	2x112	19	19
AATVG/N 900	485	1x125	2x125	19	19
AATVG/N 1000	535	1x125	2x125	24	24

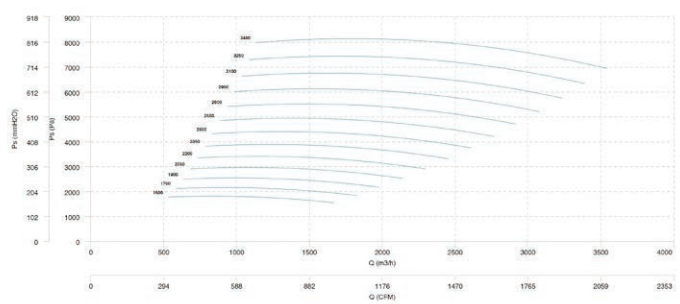
AATVG/N 450



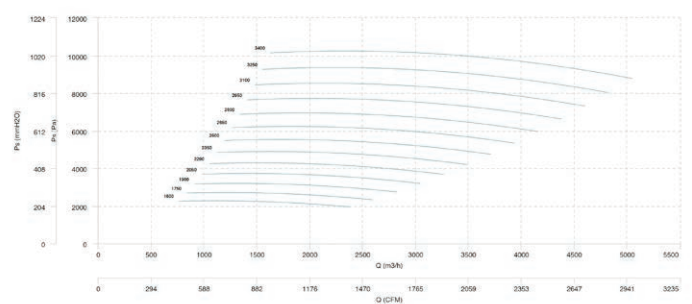
AATVG/N 500



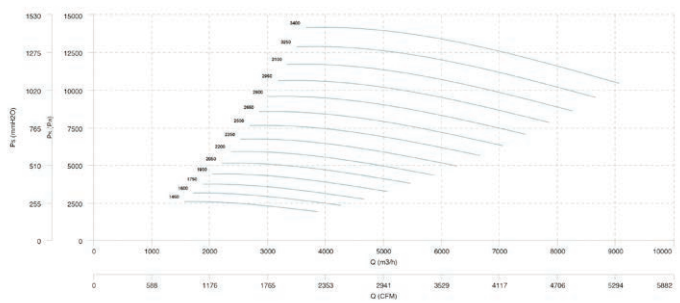
AATVG/N 560



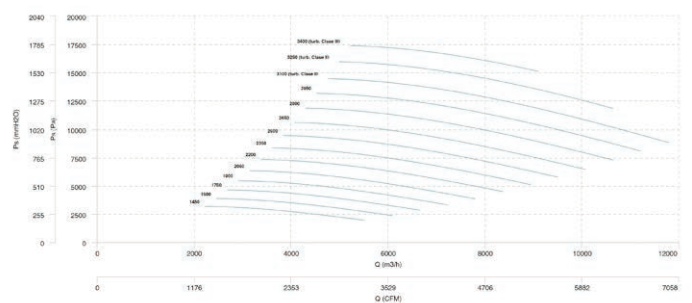
AATVG/N 630



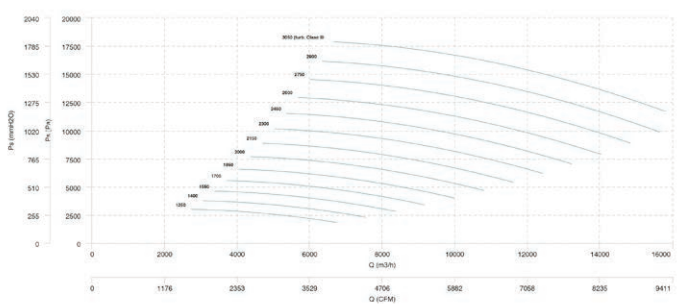
AATVG/N 710



AATVG/N 800



AATVG/N 900



AATVG/N 1000

