

## Centrifugal High Pressure Belt Driven Fans AATVC Series

- Fan made of Fe360 sheet. The fan paint finish is based on a Qualicoat polyester powder coating stoved at 200°C, with an average film thickness of 70 microns. Average heat resistance of coating is 180°C with peaks of 200°C.
- Fully welded housing.
- High efficiency simple inlet backward curved impeller made of Fe360 sheet statically and dynamically balanced. Impellers are painted with epoxy primer that resists temperatures up to 300°C.
- Motorized fan with basement (sist 12). Full equipped fans including: motor, pulleys, belts, belts guard and shaft guard. Fitted over a base plate.
- Standard orientation LG270.



### Under Request:

60Hz fans and special voltages.

2 speed motors.

Fan with free shaft (configuration 1) or with motor supported on the pedestal side (configuration 9).

Flameproof or explosionproof fans with ATEX certificated motors.

Fan for air working temperatures up to 350°C with R/R (cooling impeller).

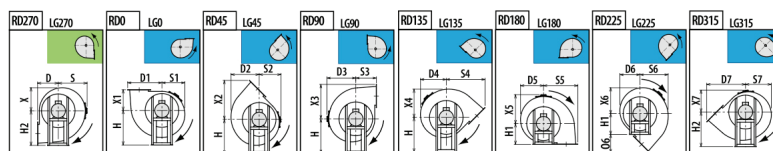
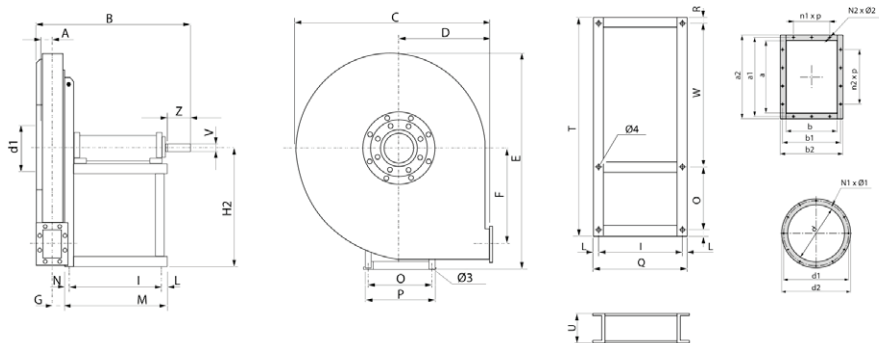
Hot-dipped galvanised or stainless steel fans.

Designed for inline installation, they are suitable for Industrial applications, extraction or injection of air. Cooling of machines and parts. Exhaust after filters, separators and cyclones. Pneumatic transport Clean air transport. Maximum working temperature: carried air: 130°C, ambient: 60°C.

Technical Characteristics AATVC Series

Type	Power (kW)	RPM max.	Air Flow (m³/h) max.	Sound db (A) (sist.1)	Weight (Kg) (sist.1)	Price* (sist.1)
AATVC 500 (sist.1)	5,50	1800 - 3500	980	58	63,0	€ 3.843,00
AATVC 560 (sist.1)	5,50	1600 - 3500	1.400	61	79,0	€ 4.718,00
AATVC 630 (sist.1)	11,00	1700 - 3500	1.850	64	131,0	€ 5.647,00
AATVC710 (sist.1)	15,00	1400 - 3500	2.480	66	181,0	€ 6.692,00
AATVC 800 (sist.1)	22,00	1450 - 3500	3.450	68	199,0	€ 8.191,00
AATVC 900 (sist.1)	37,00	1350 - 3200	4.670	69	310,0	€ 10.146,00
AATVC 1000 (sist.1)	55,00	1250 - 3200	6.320	72	452,0	€ 13.344,00
AATVC 1120 (sist.1)	90,00	1350 - 2950	8.340	73	470,0	⊠
AATVC 1250 (sist.1)	90,00	1000 - 2600	9.750	75	800,0	⊠

\*The fan is supplied with free axle (sist.1), that is: without motor, pulleys or belts or with motor and transmission set (sist.9 and 12).



Dimensions AATVC (mm)

Type	A	B	C	D	D1	D2	D3	D4	D5	D6	D7	E	F	G	H	H1
AATVC 500	45	668	745	335	386	386	410	370	346	350	541	796	347	42	450	450
AATVC 560	50	678	835	375	482	438	460	418	391	392	606	891	393	48	500	500
AATVC 630	58	708	940	425	539	493	515	472	441	438	681	1001	443	53	560	560

Dimensions AATVC (mm)

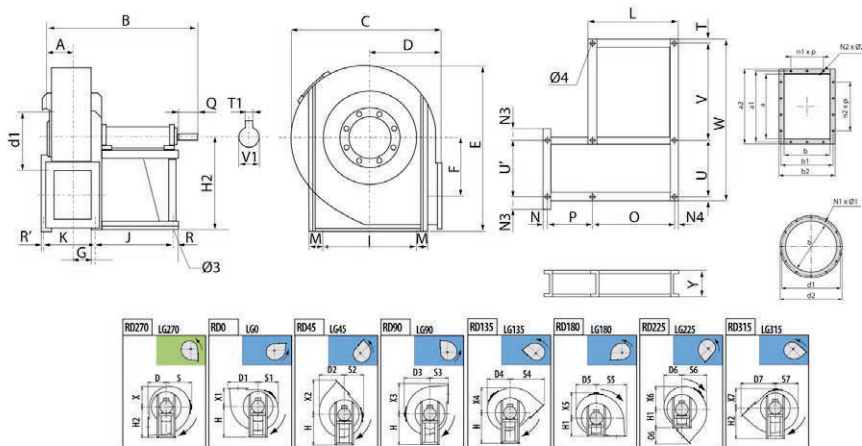
Type	H2	I	L	M	N	N1x01	N2x02	O	P	Q	R	S	S1	S2	S3	S4
AATVC 500	450	407	28	485	50	8x8	4x10	355	400	463	23	410	346	350	335	541
AATVC 560	500	407	28	485	50	8x8	4x10	355	400	463	23	460	391	392	375	606
AATVC 630	560	407	28	485	50	8x8	6x10	355	400	463	23	515	441	438	425	681

Dimensions AATVC (mm)

Type	S5	S6	S7	T	U	V	W	X	X1	X2	X3	X4	X5	X6	X7	Z
AATVC 500	430	386	370	1060	120	28	660	346	335	541	430	386	410	370	350	60
AATVC 560	482	438	418	1180	120	28	780	391	375	606	482	438	460	418	392	60
AATVC 630	539	493	472	1180	120	38	780	441	425	681	539	493	515	472	438	80

Dimensions AATVC (mm)

Type	a	a1	a2	b	b1	b2	d	d1	d2	n2xp	Ø3	Ø4
AATVC 500	105	139	165	76	110	136	145	182	215	-	14	14
AATVC 560	117	151	177	85	119	145	165	200	235	-	14	14
AATVC 630	131	165	191	95	129	155	185	219	250	1x100	14	14



Dimensions AATVC (mm)

Type	A	B	C	D	D1	D2	D3	D4	D5	D6	D7	E	F	G	H	H1
AATVC710	67	825	1045	475	605	547	570	522	493	489	764	1123	497	115,5	630	630
AATVC 800	73	860	1170	530	678	622	640	592	554	545	854	1264	560	121,5	710	710
AATVC 900	84	880	1315	600	759	696	715	668	628	617	961	1428	631	129,5	800	800
AATVC 1000	90	1005	1460	670	846	775	790	735	690	670	1074	1590	707	165,5	900	900
AATVC 1120	103	1026	1630	750	942	898	880	857	770	713	1196	1770	791	174,5	1000	1000
AATVC 1250	113	1180	1815	840	1054	998	975	944	863	802	1339	1983	890	197,5	960	840

# Centrifugal High Pressure Belt Driven Fans

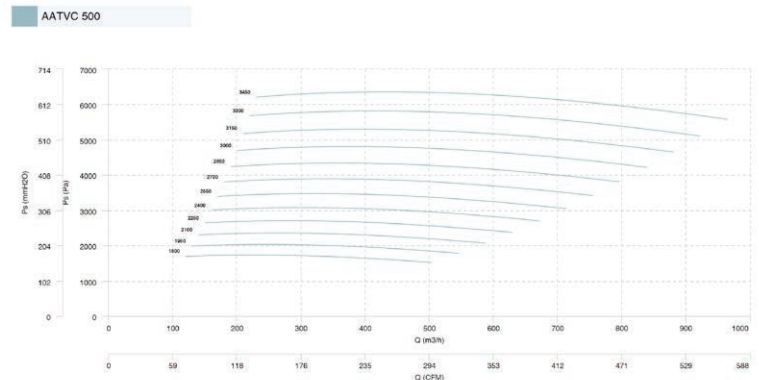


Dimensions AATVC (mm)																
Type	H2	I	J	K	L	M	N	N1x01	N2x02	N3	N4	O	P	Q	R	R'
AATVC710	550	485	477	191	543	12	20	8x8	6x12	53	33	289	191	110	33	20
AATVC 800	620	485	477	203	543	23	20	8x8	6x12	55	33	324	203	110	33	20
AATVC 900	695	485	477	219	543	23	20	8x10	6x12	60	33	361	219	110	33	20
AATVC 1000	770	762	551	261	629	32	35	8x12	8x12	188	39	174	261	110	39	35
AATVC 1120	860	862	551	279	629	32	35	8x12	8x12	203	39	446	279	110	39	35
AATVC 1250	960	1056	607	285	697	45	55	8x12	10x12	105	45	607	285	140	45	55

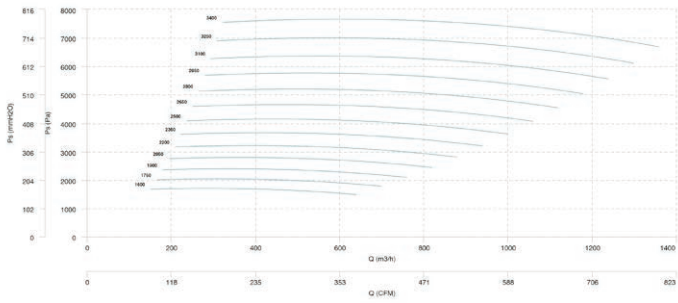
Dimensions AATVC (mm)																
Type	S	S1	S2	S3	S4	S5	S6	S7	T	T1	U	U'	V	V1	W	X
AATVC710	570	493	489	475	764	605	547	522	23	12	485	400	720	42	1250	493
AATVC 800	640	554	545	530	854	678	622	592	23	12	485	410	970	42	1500	554
AATVC 900	715	628	617	600	961	759	696	668	23	14	485	420	970	48	1500	628
AATVC 1000	790	690	670	670	1074	846	775	735	32	14	762	450	974	48	1800	690
AATVC 1120	880	770	713	750	1196	942	898	857	32	16	862	520	974	55	1800	770
AATVC 1250	975	863	802	840	1339	1054	998	944	45	18	1056	1056	1066	65	2212	863

Dimensions AATVC (mm)																
Type	X1	X2	X3	X4	X5	X6	X7	Y	a	a1	a2	b	b1	b2	d	d1
AATVC710	475	764	605	547	570	522	489	160	146	182	216	105	139	175	205	241
AATVC 800	530	854	678	622	640	592	545	160	166	200	236	117	151	187	228	265
AATVC 900	600	961	759	696	715	668	617	160	185	219	255	131	165	201	255	292
AATVC 1000	670	1074	846	775	790	735	670	180	207	241	277	148	182	218	285	332
AATVC 1120	750	1196	942	898	880	857	713	180	231	265	301	166	200	236	320	366
AATVC 1250	840	1339	1054	998	975	944	802	220	258	292	328	185	219	255	360	405

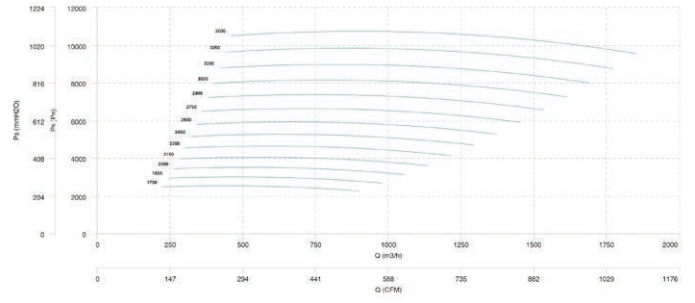
Dimensions AATVC (mm)					
Type	d2	n1xp	n2xp	Ø3	Ø4
AATVC710	275	-	1x112	19	19
AATVC 800	298	-	1x112	19	19
AATVC 900	325	-	1x112	19	19
AATVC 1000	365	1x112	1x112	24	20
AATVC 1120	400	1x112	1x112	19	20
AATVC 1250	440	1x112	2x112	24	20



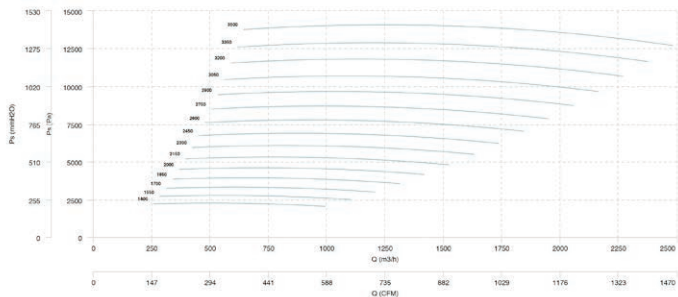
AATVC 560



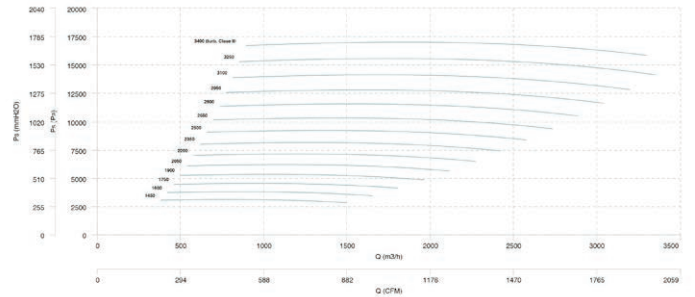
AATVC 630



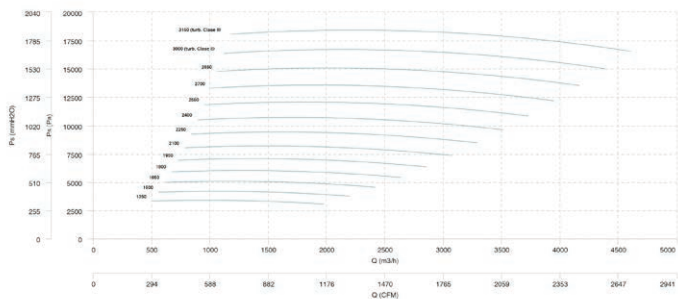
AATVC 710



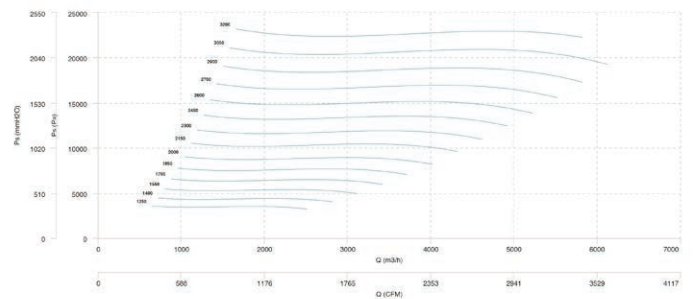
AATVC 800



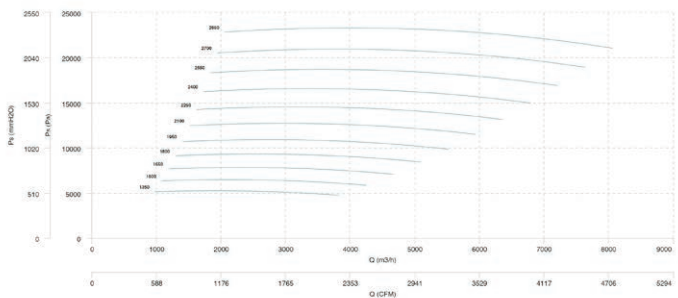
AATVC 900



AATVC 1000



AATVC 1120



AATVC 1250

