

## Centrifugal High Pressure Belt Driven Fans AATVP Series

- Fan made of Fe360 sheet. The fan paint finish is based on a Qualicoat polyester powder coating stoved at 200°C, with an average film thickness of 70 microns. Average heat resistance of coating is 180°C with peaks of 200°C.
- Fully welded housing.
- High efficiency simple inlet backward curved impeller made of Fe360 sheet statically and dynamically balanced. Impellers are painted with epoxy primer that resists temperatures up to 300°C.
- Motorized fan with basement (sist 12). Full equipped fans including: motor, pulleys, belts, belts guard and shaft guard. Fitted over a base plate.
- Standard orientation LG270.



### Under request:

60Hz fans and special voltages.

2 speed motors.

Fan with free shaft (configuration 1) or with motor supported on the pedestal side (configuration 9).

Flameproof or explosionproof fans with ATEX certificated motors.

Fan for air working temperatures up to 350°C with R/R (cooling impeller).

Hot-dipped galvanised or stainless steel fans.

Designed for inline installation, they are suitable for

Industrial applications, extraction or injection of air, Cooling of machines and parts.

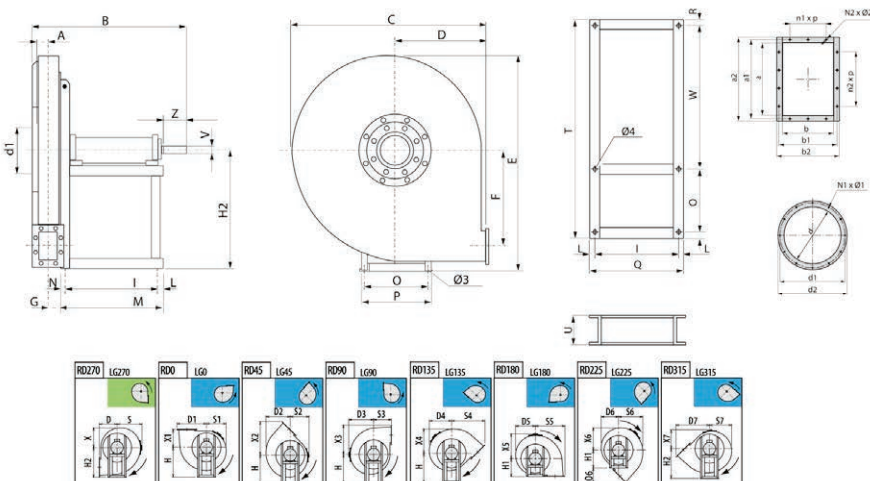
Exhaust after filters, separators and cyclones, Pneumatic transport.

Slightly dusty air transport, Maximum working temperature: carried air: 130°C, ambient: 60°C.

Technical Characteristics AATVP Series

Type	Power (kW)	RPM max.	Air Flow (m³/h) max.	Sound db (A) (sist.1)	Weight (Kg) (sist.1)	Price* (sist.1)
AATVP 400 (sist. 1)	1,50	1.800 - 3.500	690	50,0	40,0	€ 2.914,00
AATVP 450 (sist. 1)	3,00	1.800 - 3.500	1.000	54,0	65,0	€ 3.136,00
AATVP 500 (sist. 1)	7,50	1.800 - 3.500	1.370	56,0	80,0	€ 3.883,00
AATVP 560 (sist. 1)	7,50	1.600 - 3.500	1.850	59,0	100,0	€ 4.675,00
AATVP 630 (sist. 1)	11,00	1.600 - 3.500	2.740	61,0	133,0	€ 5.597,00
AATVP 710 (sist. 1)	22,00	1.450 - 3.500	3.920	64,0	183,0	€ 6.664,00
AATVP 800 (sist. 1)	30,00	1.450 - 3.500	5.380	67,0	218,0	€ 8.126,00
AATVP 900 (sist. 1)	55,00	1.250 - 3.300	7.600	69,0	320,0	€ 10.242,00
AATVP 1000 (sist. 1)	75,00	1.250 - 3.300	9.710	71,0	457,0	1 € 3.739,00
AATVP 1120 (sist. 1)	90,00	1.150 - 2.950	12.080	72,0	481,0	⊞

\*The fan is supplied with free axle (sist.1), that is: without motor, pulleys or belts or with motor and transmission set (sist.9 and 12).



Dimensions AATVP (mm)

Type	A	B	C	D	D1	D2	D3	D4	D5	D6	D7	E	F	G	H	H1
AATVP 400	45	522	620	280	350	314	340	302	283	293	445	658	267	42	375	375
AATVP 450	50	531	675	300	387	350	375	335	314	319	486	714	298	47	400	400
AATVP 500	57	687	745	335	430	386	410	370	346	350	541	796	334	52	450	450
AATVP 560	65	703	835	375	487	438	460	418	390	392	610	890	379	58	500	500
AATVP 630	73	735	940	425	545	493	515	472	440	438	688	1000	427	64	560	560

Dimensions AATVP (mm)

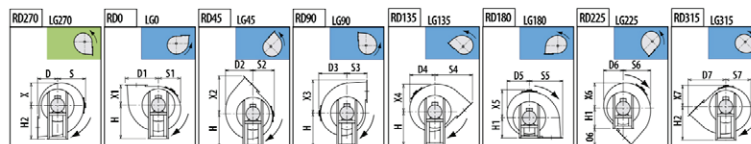
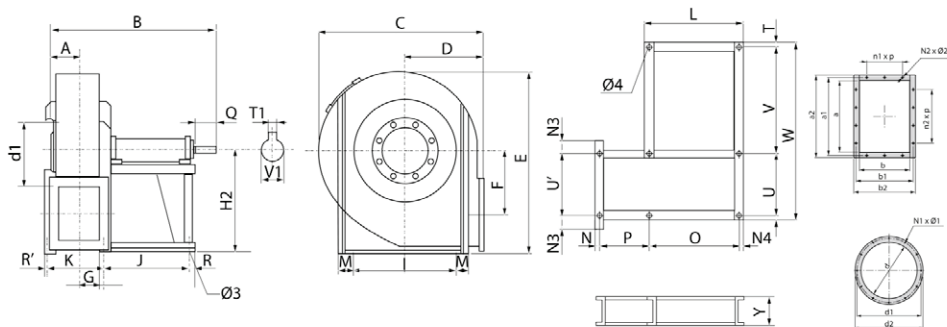
Type	H2	I	L	M	N	N1x01	N2x02	O	O6	P	Q	R	S	S1	S2	S3
AATVP 400	375	284	23	347	40	8x8	4x10	288	165	324	330	18	340	283	293	280
AATVP 450	400	284	23	347	40	8x8	4x10	288	186	324	330	18	375	314	319	300
AATVP 500	450	407	28	485	50	8x8	6x10	355	206	400	463	23	410	346	350	335
AATVP 560	500	407	28	485	50	8x8	6x12	355	235	400	463	23	460	390	392	375
AATVP 630	560	407	28	485	50	8x8	6x12	355	263	400	463	23	515	440	438	425

Dimensions AATVP (mm)

Type	S4	S5	S6	S7	T	U	V	W	X	X1	X2	X3	X4	X5	X6	X7
AATVP 400	445	350	314	302	900	100	24	576	283	280	445	350	314	340	302	293
AATVP 450	486	387	350	335	900	100	24	576	314	300	486	387	350	375	335	319
AATVP 500	541	430	386	370	1060	120	28	660	346	335	541	430	386	410	370	350
AATVP 560	610	487	438	418	1180	120	28	780	390	375	610	487	438	460	418	392
AATVP 630	688	545	493	472	1180	120	38	780	440	425	688	545	493	515	472	438

Dimensions AATVP (mm)

Type	Z	a	a1	a2	b	b1	b2	d	d1	d2	n2xp	Ø3	Ø4
AATVP 400	50	105	139	165	76	110	136	145	182	215	-	12	14
AATVP 450	50	117	151	177	85	119	145	165	200	235	-	12	14
AATVP 500	60	131	165	191	95	129	155	185	219	250	1x100	14	14
AATVP 560	60	146	182	216	105	139	175	205	241	275	1x112	14	14
AATVP 630	80	166	200	236	117	151	187	228	265	298	1x112	14	14



# Centrifugal High Pressure Belt Driven Fans

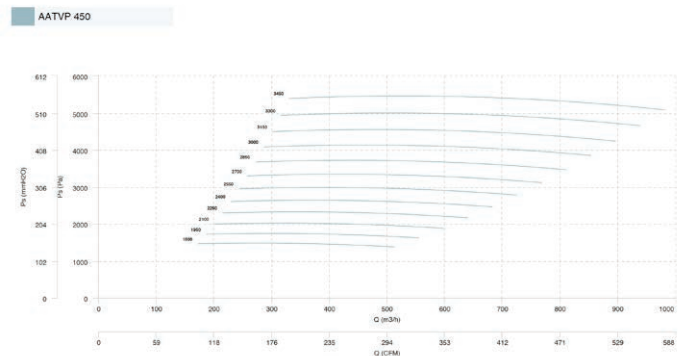
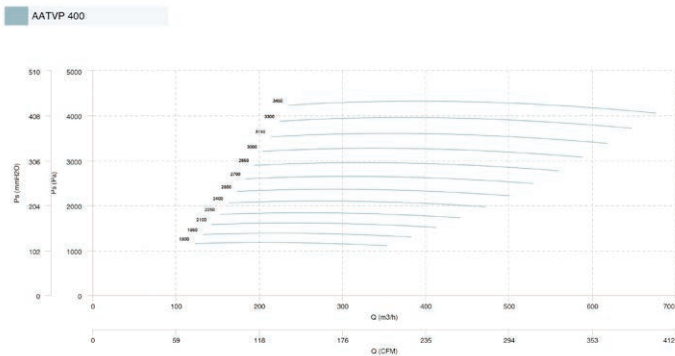


Dimensions AATVP (mm)																	
Type	A	B	C	D	D1	D2	D3	D4	D5	D6	D7	E	F	G	H	H1	H2
AATVP 710	83	855	1045	475	606	547	570	522	493	489	764	1123	478	128	630	630	550
AATVP 800	90	870	1170	530	678	622	640	592	555	545	854	1265	539	147	710	710	620
AATVP 900	103	885	1315	600	759	696	715	668	628	617	961	1428	608	158	800	800	695
AATVP 1000	110	1043	1460	670	845	775	790	735	690	670	1074	1590	681	188,5	900	900	770
AATVP 1120	115	1066	1630	750	950	898	880	857	770	713	1202	1770	766	194,5	1000	1000	860

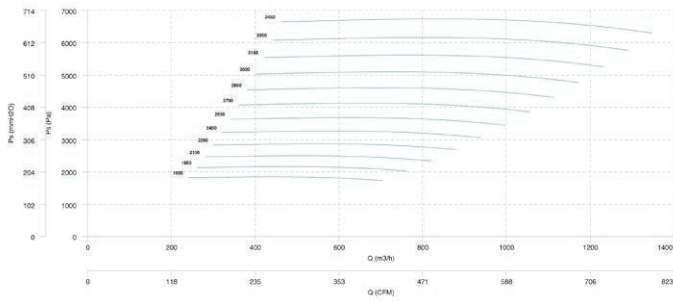
Dimensions AATVP (mm)																	
Type	I	J	K	L	M	N	N1x01	N2x02	N3	N4	O	O6	P	Q	R	R'	S
AATVP 710	485	477	216	543	23	20	6x12	6x12	75	33	477	289	216	110	33	20	570
AATVP 800	485	477	234	543	23	30	8x12	8x12	65	33	477	324	234	110	33	30	640
AATVP 900	485	477	256	543	23	30	8x12	8x12	78	33	477	361	256	110	33	30	715
AATVP 1000	762	551	305	629	32	36	10x12	10x12	150	39	551	174	305	110	39	36	790
AATVP 1120	862	551	317	629	32	36	10x12	10x12	148	39	551	452	317	110	39	36	880

Dimensions AATVP (mm)																	
Type	S1	S2	S3	S4	S5	S6	S7	T	T1	U	U'	V	V1	X	X1	X2	X3
AATVP 710	493	489	475	764	606	547	522	23	12	485	400	720	42	493	475	764	606
AATVP 800	555	545	530	854	678	622	592	23	12	485	485	970	42	555	530	854	678
AATVP 900	628	617	600	961	759	696	668	23	14	485	500	970	48	628	600	961	759
AATVP 1000	690	670	670	1074	845	775	735	32	14	762	526	974	48	690	670	1074	845
AATVP 1120	770	713	750	1202	950	898	857	32	16	862	630	974	55	770	750	1202	950

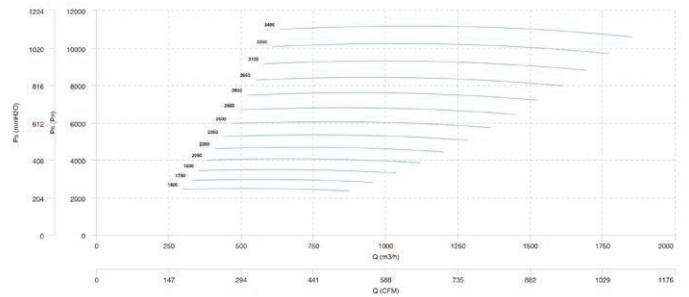
Dimensions AATVP (mm)																		
Type	X4	X5	X6	X7	Y	a	a1	a2	b	b1	b2	d	d1	d2	n1xp	n2xp	Ø3	Ø4
AATVP 710	547	570	522	489	160	185	219	255	131	165	201	255	292	325	-	1x112	19	19
AATVP 800	622	640	592	545	160	207	241	277	148	182	218	285	332	365	1x112	1x112	19	19
AATVP 900	696	715	668	617	160	231	265	301	166	200	236	320	366	400	1x112	1x112	19	19
AATVP 1000	775	790	735	670	180	258	292	328	185	219	255	360	405	440	1x112	2x112	24	20
AATVP 1120	898	880	857	713	180	288	332	368	205	249	285	405	448	485	1x125	2x125	24	20



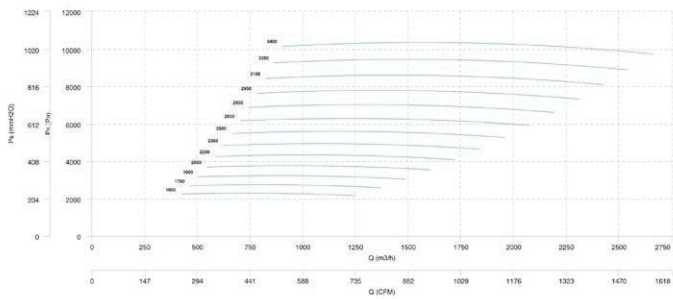
AATVP 500



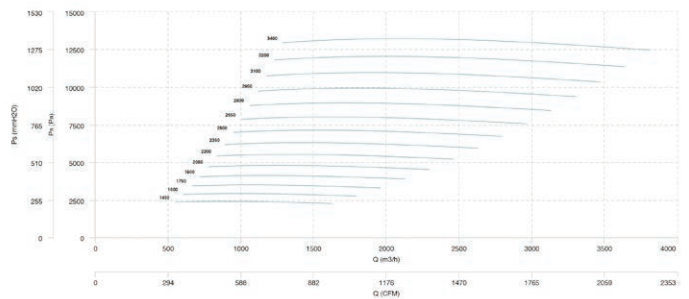
AATVP 560



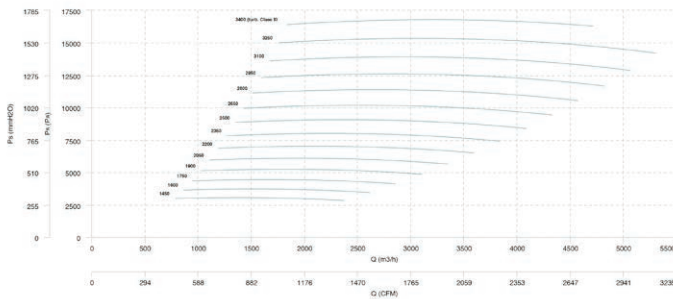
AATVP 630



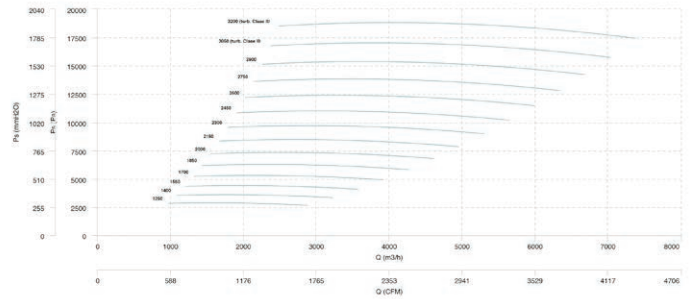
AATVP 710



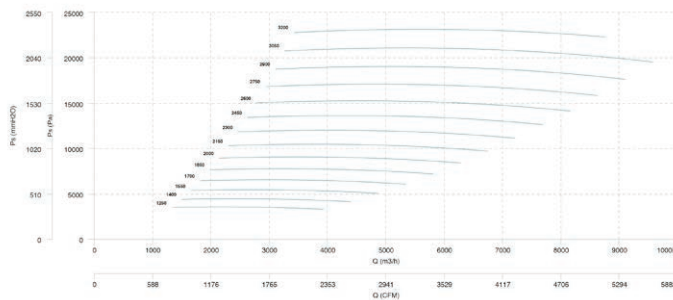
AATVP 800



AATVP 900



AATVP 1000



AATVP 1120

