



High Pressure Single Inlet Centrifugal Fans AAZA Series

- Rolling steel sheet housing.
- Fully welded housing.
- Straight blade impeller manufactured in rolled steel sheet and epoxy powder coat finishing.
- Epoxy powder coat finishing.
- Standard asynchronous squirrel-cage motor with IP-55 protection and class F insulation.
- Manufactured with standard voltages: 230V 50Hz in single phase motors and 230/400V 50Hz in three phase motors up to 4kW, and 400/690V 50Hz for higher powers.

Under request:

- 60Hz fans and special voltages.
- 2 speed motors.
- Spark-proof fans with Atex certified motor.
- Fans for air working temperatures up to 250°C.

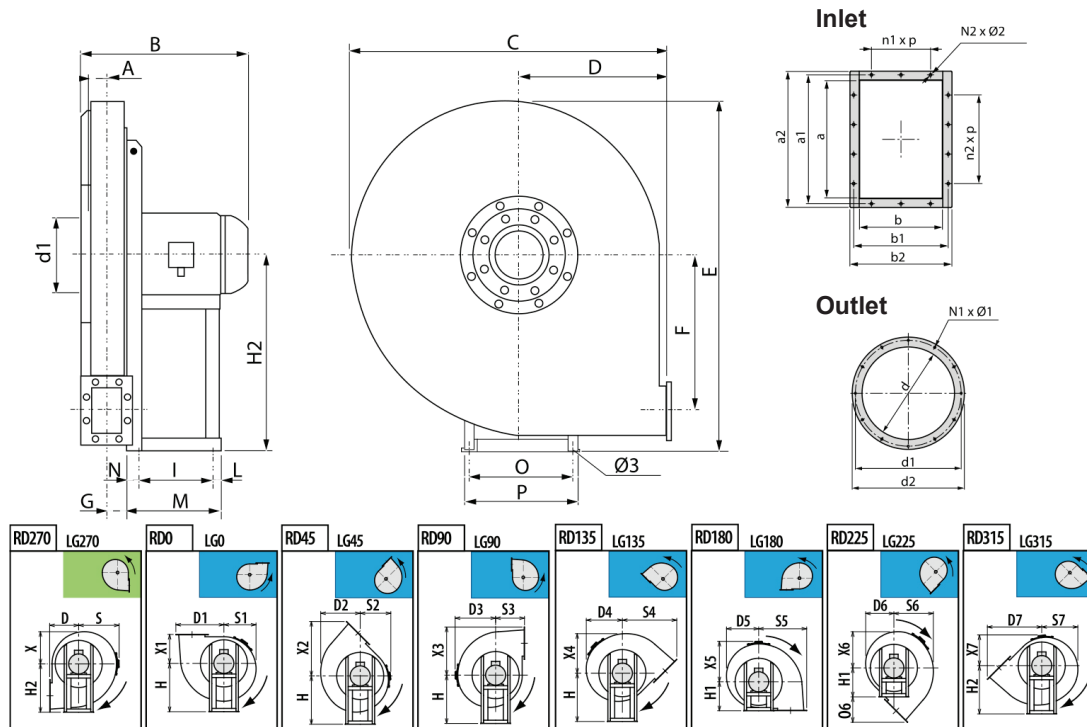
Designed for inline installation, they are suitable for Transport of solid material and textile fibers.

Maximum working temperature: carried air 130°C, environment: 60°C.

Technical Characteristics AAZA Series 2800 PRM						
Type	Power (kW)	RPM	Air Flow (m ³ /h)	Sound db (A)	Weight (Kg)	Price
AAZA 400 T2 0,75kW	0,75	2.800	430	71	39,0	€ 2.298,00
AAZA 400 T2 1,1kW	1,10	2.800	470	71	39,0	€ 2.326,00
AAZA 450 T2 1,1kW	1,10	2.800	540	73	42,0	€ 2.489,00
AAZA 450 T2 1,5kW	1,50	2.865	650	74	45,0	€ 2.587,00
AAZA 500 T2 2,2kW	2,20	2.840	870	76	55,0	€ 3.092,00
AAZA 500 T2 3kW	3,00	2.880	870	77	63,0	€ 3.275,00
AAZA 560 T2 3kW	3,00	2.880	940	79	89,0	€ 3.892,00
AAZA 560 T2 4kW	4,00	2.880	1.230	80	100,0	€ 4.002,00
AAZA 630 T2 5,5kW	5,50	2.910	1.440	84	134,0	€ 4.807,00
AAZA 630 T2 7,5kW	7,50	2.910	1.800	85	134,0	€ 4.970,00
AAZA 710 T2 7,5kW	7,50	2.910	1.230	87	202,0	€ 6.721,00
AAZA 710 T2 11kW	11,00	2.940	2.520	88	218,0	€ 5.754,00
AAZA 800 T2 15kW	15,00	2.935	2.520	92	262,0	€ 8.258,00
AAZA 800 T2 18,5kW	18,50	2.940	2.880	92	277,0	€ 8.612,00

Technical Characteristics AAZA Series 1400 PRM						
Type	Power (kW)	RPM	Air Flow (m ³ /h)	Sound db (A)	Weight (Kg)	Price
AAZA 800 T4 3kW	3,00	1.420	1.800	76	195,0	€ 6.549,00
AAZA 800 T4 4kW	4,00	1.440	1.800	76	202,0	€ 6.737,00
AAZA 900 T4 5,5kW	5,50	1.460	2.520	78	307,0	€ 9.472,00
AAZA 900 T4 7,5kW	7,50	1.455	2.880	79	341,0	€ 9.717,00
AAZA 1000 T4 7,5kW	7,50	1.455	3.240	80	370,0	€ 14.629,00
AAZA 1000 T4 11kW	11,00	1.455	4.000	82	410,0	€ 15.402,00

Centrifugal High Pressure Direct Fans



Dimensions AAZA PR (mm)																		
Type	A	B	C	D	D1	D2	D3	D4	D5	D6	D7	E	F	G	H	H1	H2	I
AAZA 400 T2 0,75kW	42	336	620	280	351	314	340	302	282	293	445	657	273	38	375	375	375,0	121
AAZA 400 T2 1,1kW	42	336	620	280	351	314	340	302	282	293	445	657	273	38	375	375	375,0	121
AAZA 450 T2 1,1kW	46	344	675	300	388	350	375	335	313	319	486	713	305	42	400	400	400,0	121
AAZA 450 T2 1,5kW	46	391	675	300	388	350	375	335	313	319	486	713	305	42	400	400	400,0	133
AAZA 500 T2 2,2kW	52	400	745	335	431	386	410	370	345	350	541	795	342	47	450	450	450,0	133
AAZA 500 T2 3kW	52	431	745	335	431	386	410	370	345	350	541	795	342	47	450	450	450,0	197
AAZA 560 T2 3kW	59	442	835	375	483	438	460	418	391	392	606	891	387	53	500	500	500,0	197
AAZA 560 T2 4kW	59	463	835	375	483	438	460	418	391	392	606	891	387	53	500	500	500,0	197
AAZA 630 T2 5,5kW	65	518	940	425	544	493	515	472	441	438	688	1001	436	58	560	560	560,0	237
AAZA 630 T2 7,5kW	65	518	940	425	544	493	515	472	441	438	688	1001	436	58	560	560	560,0	237
AAZA 710 T2 7,5kW	70	531	1045	475	606	547	570	522	492	489	764	1122	488	65	630	630	630,0	237
AAZA 710 T2 11kW	70	636	1045	475	606	547	570	522	492	489	764	1122	488	65	630	630	630,0	337
AAZA 800 T2 15kW	78	650	1170	530	679	622	640	592	554	545	854	1264	551	72	710	710	710,0	337
AAZA 800 T2 18,5kW	78	650	1170	530	679	622	640	592	554	545	854	1264	551	72	710	710	710,0	337
AAZA 800 T4 3kW	78	484	1170	530	679	622	640	592	554	545	854	1264	551	72	710	710	710,0	197
AAZA 800 T4 4kW	78	505	1170	530	679	622	640	592	554	545	854	1264	551	72	710	710	710,0	197
AAZA 900 T4 5,5kW	86	562	1315	600	759	696	715	668	628	617	961	1428	620	80	800	800	800,0	237
AAZA 900 T4 7,5kW	86	562	1315	600	759	696	715	668	628	617	961	1428	620	80	800	800	800,0	237
AAZA 1000 T4 7,5kW	95	581	1460	670	841	775	790	735	691	670	1072	1591	690	90	900	900	900,0	237
AAZA 1000 T4 11kW	95	686	1460	670	841	775	790	735	691	670	1072	1591	690	90	900	900	900,0	337

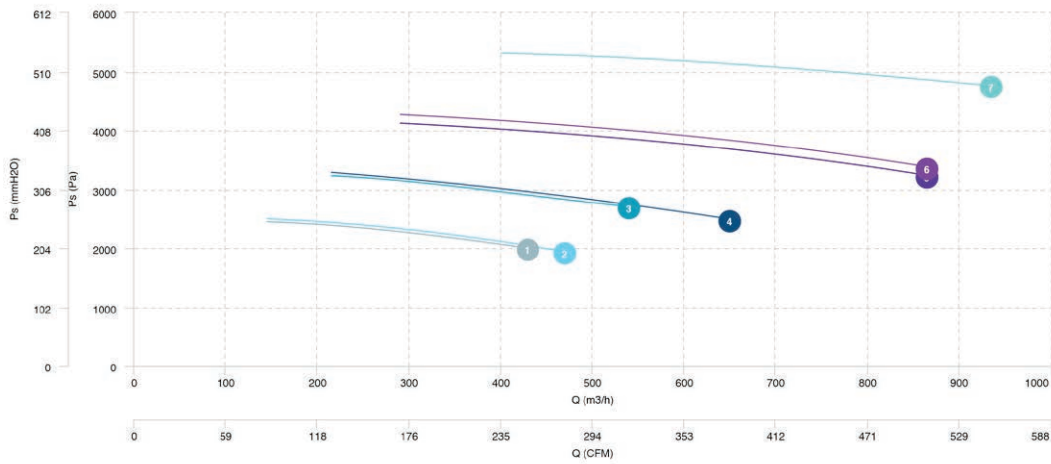
Dimensions AAZA PR (mm)																		
Type	L	M	N	N1X01	N2X02	O	O6	P	S	S1	S2	S3	S4	S5	S6	S7	X	X1
AAZA 400 T2 0,75kW	45	211	45	4x4	4x10	203	165	225	340	282	293	280	445	351	314	302	282	280
AAZA 400 T2 1,1kW	45	211	45	4x4	4x10	203	165	225	340	282	293	280	445	351	314	302	282	280
AAZA 450 T2 1,1kW	45	211	45	8x8	4x10	203	186	225	375	313	319	300	486	388	350	335	313	300
AAZA 450 T2 1,5kW	58	246	55	8x8	4x10	234	186	260	375	313	319	300	486	388	350	335	313	300
AAZA 500 T2 2,2kW	58	246	55	8x8	4x10	234	206	260	410	345	350	335	541	431	386	370	345	335
AAZA 500 T2 3kW	49	276	30	8x8	4x10	289	206	324	410	345	350	335	541	431	386	370	345	335
AAZA 560 T2 3kW	49	276	30	8x8	6x10	289	231	324	460	391	392	375	606	483	438	418	391	375
AAZA 560 T2 4kW	49	276	30	8x8	6x10	289	231	324	460	391	392	375	606	483	438	418	391	375
AAZA 630 T2 5,5kW	59	336	40	8x8	6x12	337	263	372	515	441	438	425	688	544	493	472	441	425
AAZA 630 T2 7,5kW	59	336	40	8x8	6x12	337	263	372	515	441	438	425	688	544	493	472	441	425
AAZA 710 T2 7,5kW	59	336	40	8x8	6x12	337	289	372	570	492	489	475	764	606	547	522	492	475
AAZA 710 T2 11kW	49	436	50	8x8	6x12	395	289	440	570	492	489	475	764	606	547	522	492	475
AAZA 800 T2 15kW	49	436	50	8x10	6x12	395	324	440	640	554	545	530	854	679	622	592	554	530
AAZA 800 T2 18,5kW	49	436	50	8x10	6x12	395	324	440	640	554	545	530	854	679	622	592	554	530
AAZA 800 T4 3kW	49	276	30	8x10	6x12	289	324	324	640	554	545	530	854	679	622	592	554	530
AAZA 800 T4 4kW	49	276	30	8x10	6x12	289	324	324	640	554	545	530	854	679	622	592	554	530
AAZA 900 T4 5,5kW	59	336	40	8x12	8x12	337	361	372	715	628	617	600	961	759	696	668	628	600
AAZA 900 T4 7,5kW	59	336	40	8x12	8x12	337	361	372	715	628	617	600	961	759	696	668	628	600
AAZA 1000 T4 7,5kW	59	336	40	8x12	8x12	337	172	372	790	691	670	670	1072	841	775	735	691	670
AAZA 1000 T4 11kW	49	436	50	8x12	8x12	395	172	440	790	691	670	670	1072	841	775	735	691	670

Dimensions AAZA PR (mm)																		
Type	X2	X3	X4	X5	X6	X7	a	a1	a2	b	b1	b2	d	d1	d2	n1xp	n2xp	Ø3
AAZA 400 T2 0,75kW	445	351	314	340	302	293	95	129	155	68	102	128	130	165	190	-	-	10
AAZA 400 T2 1,1kW	445	351	314	340	302	293	95	129	155	68	102	128	130	165	190	-	-	10
AAZA 450 T2 1,1kW	486	388	350	375	335	319	105	139	165	76	110	136	145	182	215	-	-	10
AAZA 450 T2 1,5kW	486	388	350	375	335	319	105	139	165	76	110	136	145	182	215	-	-	10
AAZA 500 T2 2,2kW	541	431	386	410	370	350	117	151	177	85	119	145	165	200	235	-	-	10
AAZA 500 T2 3kW	541	431	386	410	370	350	117	151	177	85	119	145	165	200	235	-	-	12
AAZA 560 T2 3kW	606	483	438	460	418	392	131	165	191	95	129	155	185	219	250	-	1x100	12
AAZA 560 T2 4kW	606	483	438	460	418	392	131	165	191	95	129	155	185	219	250	-	1x100	12
AAZA 630 T2 5,5kW	688	544	493	515	472	438	146	182	216	105	139	175	205	241	275	-	1x112	12
AAZA 630 T2 7,5kW	688	544	493	515	472	438	146	182	216	105	139	175	205	241	275	-	1x112	12
AAZA 710 T2 7,5kW	764	606	547	570	522	489	166	200	236	117	151	187	228	265	298	-	1x112	12
AAZA 710 T2 11kW	764	606	547	570	522	489	166	200	236	117	151	187	228	265	298	-	1x112	14
AAZA 800 T2 15kW	854	679	622	640	592	545	185	219	255	131	165	201	255	292	325	-	1x112	14
AAZA 800 T2 18,5kW	854	679	622	640	592	545	185	219	255	131	165	201	255	292	325	-	1x112	14
AAZA 800 T4 3kW	854	679	622	640	592	545	185	219	255	131	165	201	255	292	325	-	1x112	12
AAZA 800 T4 4kW	854	679	622	640	592	545	185	219	255	131	165	201	255	292	325	-	1x112	12
AAZA 900 T4 5,5kW	961	759	696	715	668	617	207	241	277	148	182	218	285	332	365	1x112	1x112	12
AAZA 900 T4 7,5kW	961	759	696	715	668	617	207	241	277	148	182	218	285	332	365	1x112	1x112	12
AAZA 1000 T4 7,5kW	1072	841	775	790	735	670	231	265	301	166	200	236	320	366	400	1x112	1x112	12
AAZA 1000 T4 11kW	1072	841	775	790	735	670	231	265	301	166	200	236	320	366	400	1x112	1x112	14

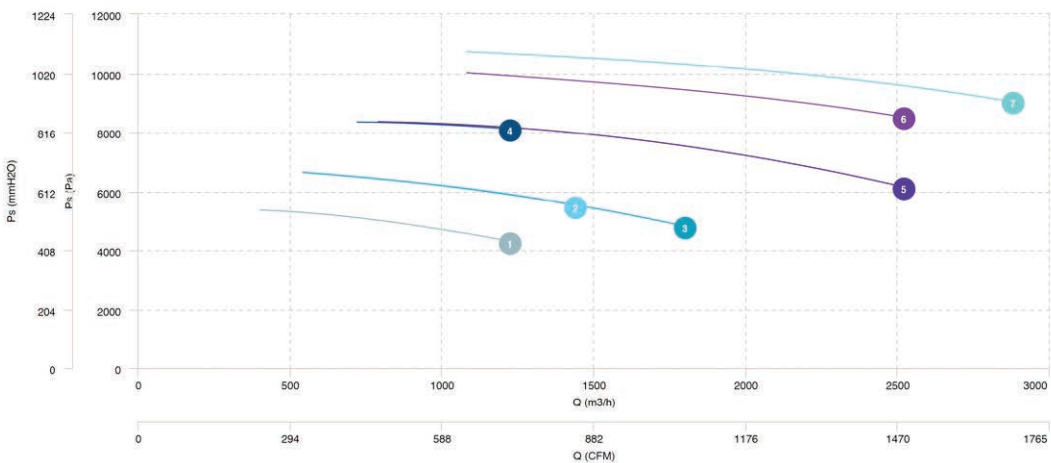
Centrifugal High Pressure Direct Fans



- | | | | | | | | |
|---|--------------------|---|-------------------|---|-------------------|---|-------------------|
| 1 | AAZA 400 T2 0,75kW | 2 | AAZA 400 T2 1,1kW | 3 | AAZA 450 T2 1,1kW | 4 | AAZA 450 T2 1,5kW |
| 5 | AAZA 500 T2 2,2kW | 6 | AAZA 500 T2 3kW | 7 | AAZA 560 T2 3kW | | |



- | | | | | | | | |
|---|------------------|---|-------------------|---|--------------------|---|-------------------|
| 1 | AAZA 560 T2 4kW | 2 | AAZA 630 T2 5,5kW | 3 | AAZA 630 T2 7,5kW | 4 | AAZA 710 T2 7,5kW |
| 5 | AAZA 710 T2 11kW | 6 | AAZA 800 T2 15kW | 7 | AAZA 800 T2 18,5kW | | |



- | | | | | | | | |
|---|--------------------|---|-------------------|---|-------------------|---|-------------------|
| 1 | AAZA 800 T4 3kW | 2 | AAZA 800 T4 4kW | 3 | AAZA 900 T4 5,5kW | 4 | AAZA 900 T4 7,5kW |
| 5 | AAZA 1000 T4 7,5kW | 6 | AAZA 1000 T4 11kW | | | | |

