



High Pressure Single Inlet Centrifugal Fans AA PR Series

- Rolling steel sheet housing.
- Fully welded housing.
- Straight blade impeller manufactured in rolled steel sheet and epoxy powder finishing coat.
- Epoxy powder finishing coat.
- Standard asynchronous squirrel-cage motor with IP-55 protection and class F insulation.
- Manufactured with standard voltages: 230V 50Hz in single phase motors and 230/400V 50Hz in three phase motors up to 4kW, and 400/690V 50Hz for higher powers.

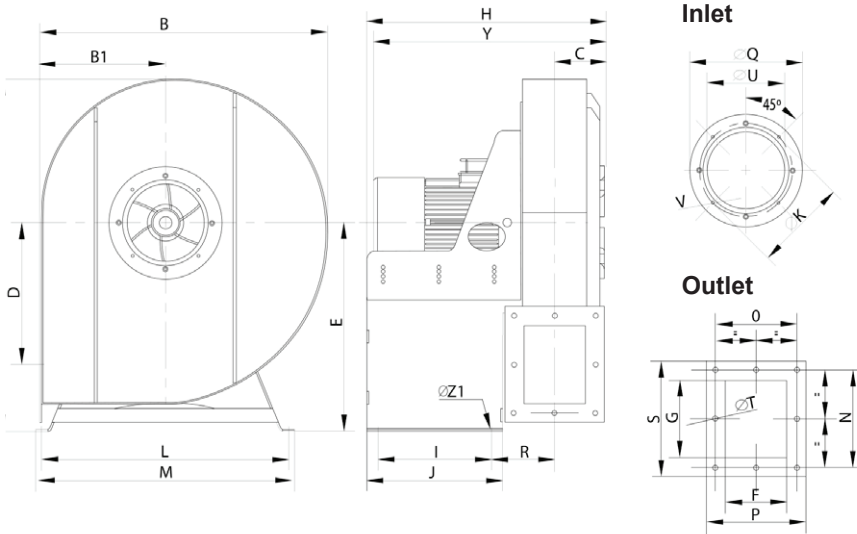
Under request:

- 60Hz fans and special voltages.
- 2 speed motors.
- Flameproof or explosionproof ATEX certified motors.
- Hot-dipped galvanised or stainless steel fan.

Designed for inline installation, they are suitable for Solid material transport (except for textile fibers).
Maximum working temperature: carried air 130°C; environment: 60°C.

Technical Characteristics AA PR Series

Type	Power (kW)	RPM	Air Flow (m³/h)	Sound db (A)	Weight (Kg)	Price
AA 45/5 T2 2,2kW P/R	2,20	2.800	2.900	79	68,0	€ 3.177,00
AA 45/5 T2 3kW P/R	3,00	2.870	3.100	79	69,0	€ 3.239,00
AA 50/5 T2 4kW P/R	4,00	2.890	3.100	83	119,0	€ 3.485,00
AA 50/5 T2 5,5kW P/R	5,50	2.900	4.000	83	120,0	€ 4.044,00
AA 60/7 T2 7,5kW P/R	7,50	2.900	4.200	85	150,0	€ 4.853,00
AA 60/7 T2 11kW P/R	11,00	2.930	5.000	85	177,0	€ 5.081,00



Dimensions AA PR 1400 RPM (mm)

Type	A	B	B1	C	D	E	F	G	H	I	J	KØ
AA 45/5 T2 2,2kW P/R	776	635	276,5	115	313	460	135	170	529,5	250	300	205
AA 45/5 T2 3kW P/R	776	635	276,5	115	313	460	135	170	529,5	250	300	205
AA 50/5 T2 4kW P/R	877	716,5	307,25	121	358	520	150	200	583	275	325	258
AA 50/5 T2 5,5kW P/R	877	716,5	307,25	121	358	520	150	200	583	275	325	258
AA 60/7 T2 7,5kW P/R	922,5	777,5	347,75	132,5	383	535	170	170	640	315	365	280
AA 60/7 T2 11kW P/R	922,5	777,5	347,75	132,5	383	535	170	170	640	315	365	280

Dimensions AA PR 1400 RPM (mm)

Type	L	M	N	O	P	Q	R	S	TØ	UØ	Y
AA 45/5 T2 2,2kW P/R	545	570	215	180	219	249	139,5	254	11	170	504,5
AA 45/5 T2 3kW P/R	545	570	215	180	219	249	139,5	254	11	170	514,5
AA 50/5 T2 4kW P/R	589	614	256	206	246	292	162	280	11	210	548
AA 50/5 T2 5,5kW P/R	589	614	256	206	246	292	162	280	11	210	603
AA 60/7 T2 7,5kW P/R	589	614	226	226	266	325	168	266	11	246	760,5
AA 60/7 T2 11kW P/R	589	614	226	226	266	325	168	266	11	246	625,5

- 1 AA 45/5 T2 2,2kW P/R
- 2 AA 45/5 T2 3kW P/R
- 3 AA 50/5 T2 4kW P/R
- 4 AA 50/5 T2 5,5kW P/R
- 5 AA 60/7 T2 7,5kW P/R
- 6 AA 60/7 T2 11kW P/R

