

## High Pressure Single Inlet Centrifugal Fans AAVGN Series

- Rolling steel sheet housing.
- Fully welded housing.
- High efficiency single inlet backward curved impeller, manufactured in rolling steel sheet and epoxy powder finishing coat.
- Epoxy powder finishing coat.
- Standard asynchronous squirrel-cage motor with IP-55 protection and class F insulation. Manufactured with standard voltages: 230V 50Hz in single phase motors and 230/400V 50Hz in three phase motors up to 4kW, and 400/690V 50Hz for higher powers.



### Under request:

60Hz fans and special voltages.

2 speed motors.

Spark-proof fans with Atex certified motor.

Fans for air working temperatures up to 250°C.

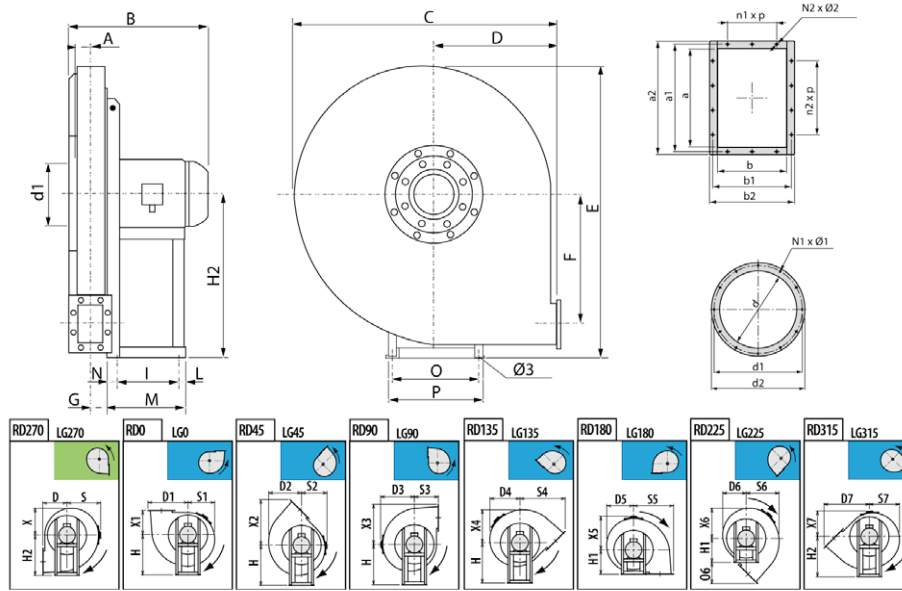
Hot-dipped galvanised or stainless steel fans.

Special motors for frequency regulation (recommended for motor sizes IEC280 and larger).

Designed for inline installation, they are suitable for Industrial applications, air extraction or injection. Cooling of machines and parts. Clean and slightly dusty air transport. Exhaust after filters, separators and cyclones. Pneumatic transport. Maximum working temperature: carried air 130°C, environment: 60°C.

Technical Characteristics AAVGN Series

Type	Power (kW)	RPM	Air Flow (m³/h)	Sound db (A)	Weight (Kg)	Price
AAVG/N 450 T2 2,2kW	2,20	2.800	1.840	80	65,0	€ 2.856,00
AAVG/N 501 T2 4kW	3,00	2.870	2.120	81	87,0	€ 3.563,00
AAVG/N 561 T2 7,5kW	4,00	2.890	3.020	81	93,0	€ 4.477,00
AAVG/N 631 T2 11kW	4,00	2.890	2.380	82	93,0	€ 6.158,00
AAVG/N 632 T2 15kW	5,50	2.900	3.380	86	107,0	€ 6.393,00
AAVG/N 711 T2 22kW	5,50	2.900	3.380	87	127,0	€ 8.605,00
AAVG/N 712 T2 30kW	7,50	2.900	4.680	87	133,0	€ 9.962,00
AAVG/N 801 T2 37kW	7,50	2.900	3.600	87	135,0	€ 12.585,00
AAVG/N 802 T2 45kW	11,00	2.930	6.080	89	193,0	€ 14.162,00
AAVG/N 901 T2 55kW	11,00	2.930	4.140	89	196,0	€ 18.076,00
AAVG/N 902 T2 75kW	15,00	2.930	6.800	89	198,0	€ 19.934,00
AAVG/N 1001 T2 110kW	18,50	2.935	6.800	91	246,0	€ 32.113,00
AAVG/N 1002 T2 132kW	22,00	2.940	9.500	93	368,0	€ 33.106,00
AAVG/NR 501 T2 3kW	22,00	2.940	6.800	93	272,0	€ 3.453,00
AAVG/NR 561 T2 5,5kW	30,00	2.950	10.800	94	388,0	€ 4.314,00
AAVG/NR 632 T2 11kW	30,00	2.950	8.460	95	424,0	€ 6.158,00
AAVG/NR 711 T2 18,5kW	37,00	2.955	11.880	95	435,0	€ 7.893,00
AAVG/NR 712 T2 22kW	37,00	2.955	8.460	96	440,0	€ 8.605,00
AAVG/NR 801 T2 30kW	45,00	2.960	13.430	96	484,0	€ 12.106,00
AAVG/NR 802 T2 37kW	55,00	2.965	11.880	96	701,0	€ 12.585,00
AAVG/NR 901 T2 45kW	75,00	2.965	21.600	97	802,0	€ 16.510,00
AAVG/NR 902 T2 55kW	75,00	2.965	15.230	97	808,0	€ 18.076,00
AAVG/NR 1001 T2 90kW	90,00	2.970	23.760	97	840,0	€ 25.207,00
AAVG/NR 1002 T2 110kW	90,00	2.970	15.230	98	920,0	€ 32.113,00



Dimensions AAVGN (mm)

Type	A	B	C	D	D1	D2	D3	D4	D5	D6	D7	E	F	G	H	H1	H2	I
AAVG/N 450 T2 2,2kW	65	424	675	300	393	350	375	335	312	319	490	712	285	56	400	300	400	133
AAVG/N 501 T2 4kW	71	489	745	335	436	386	410	370	344	350	546	794	318	63	450	335	450	197
AAVG/N 561 T2 7,5kW	78	544	835	375	488	438	460	418	393	392	613	893	360	71	500	375	500	237
AAVG/N 631 T2 11kW	86	666	940	425	545	493	515	472	441	438	688	1001	406	79	560	425	560	337
AAVG/N 632 T2 15kW	86	666	940	425	545	493	515	472	441	438	688	1001	406	79	560	425	560	337
AAVG/N 711 T2 22kW	102	765	1045	475	605	547	570	522	494	489	767	1124	454	88	630	475	630	357
AAVG/N 712 T2 30kW	102	873	1045	475	605	547	570	522	494	489	767	1124	454	88	630	475	630	381
AAVG/N 801 T2 37kW	109	893	1170	530	677	622	640	592	555	545	854	1265	513	99	710	530	710	381
AAVG/N 802 T2 45kW	109	935	1170	530	677	622	640	592	555	545	854	1265	513	99	710	530	710	421
AAVG/N 901 T2 55kW	119	1068	1315	600	762	696	715	668	628	617	963	1428	578	109	800	600	800	501
AAVG/N 902 T2 75kW	119	1071	1315	600	762	696	715	668	628	617	963	1428	578	109	800	600	800	591
AAVG/N 1001 T2 110kW	137	1307	1460	670	849	805	790	765	691	640	1074	1591	648	120	900	670	900	675
AAVG/N 1002 T2 132kW	137	1307	1460	670	849	805	790	765	691	640	1074	1591	648	120	900	670	900	675
AAVG/NR 501 T2 3kW	71	468	745	335	436	386	410	370	344	350	546	794	318	63	450	335	450	197
AAVG/NR 561 T2 5,5kW	78	544	835	375	488	438	460	418	393	392	613	893	360	71	500	375	500	237
AAVG/NR 632 T2 11kW	86	666	940	425	545	493	515	472	441	438	688	1001	406	79	560	425	560	337
AAVG/NR 711 T2 18,5kW	102	684	1045	475	605	547	570	522	494	489	767	1124	454	88	630	475	630	337
AAVG/NR 712 T2 22kW	102	765	1045	475	605	547	570	522	494	489	767	1124	454	88	630	475	630	357
AAVG/NR 801 T2 30kW	109	893	1170	530	677	622	640	592	555	545	854	1265	513	99	710	530	710	381
AAVG/NR 802 T2 37kW	109	893	1170	530	677	622	640	592	555	545	854	1265	513	99	710	530	710	381
AAVG/NR 901 T2 45kW	119	960	1315	600	762	696	715	668	628	617	963	1428	578	109	800	600	800	421
AAVG/NR 902 T2 55kW	119	1068	1315	600	762	696	715	668	628	617	963	1428	578	109	800	600	800	501
AAVG/NR 1001 T2 90kW	137	1095	1460	670	849	805	790	765	691	640	1074	1591	648	120	900	670	900	591
AAVG/NR 1002 T2 110kW	137	1307	1460	670	849	805	790	765	691	640	1074	1591	648	120	900	670	900	675

# Centrifugal High Pressure Direct Fans



Dimensions AAVGN (mm)

Type	L	M	N	N1 x 01	N2 x 02	O	O6	P	S	S1	S2	S3	S4	S5	S6	S7	X	X1
AAVG/N 450 T2 2,2kW	58	246	55	8 x 8	6 x 12	234	190	260	375	312	319	300	490	393	350	335	312	300
AAVG/N 501 T2 4kW	49	276	30	8 x 8	6 x 12	289	211	324	410	344	350	335	546	436	386	370	344	335
AAVG/N 561 T2 7,5kW	59	336	40	8 x 10	6 x 12	337	238	372	460	393	392	375	613	488	438	418	393	375
AAVG/N 631 T2 11kW	49	436	50	8 x 12	8 x 12	395	263	440	515	441	438	425	688	545	493	472	441	425
AAVG/N 632 T2 15kW	49	436	50	8 x 12	8 x 12	395	263	440	515	441	438	425	688	545	493	472	441	425
AAVG/N 711 T2 22kW	33	460	70	8 x 12	8 x 12	434	292	488	570	494	489	475	767	605	547	522	494	475
AAVG/N 712 T2 30kW	39	500	80	8 x 12	8 x 12	506	292	568	570	494	489	475	767	605	547	522	494	475
AAVG/N 801 T2 37kW	39	500	80	8 x 12	10 x 12	506	324	568	640	555	545	530	854	677	622	592	555	530
AAVG/N 802 T2 45kW	39	540	80	8 x 12	10 x 12	556	324	616	640	555	545	530	854	677	622	592	555	530
AAVG/N 901 T2 55kW	39	600	60	12 x 12	10 x 12	604	363	690	715	628	617	600	963	762	696	668	628	600
AAVG/N 902 T2 75kW	46	697	60	12 x 12	10 x 12	690	363	750	715	628	617	600	963	762	696	668	628	600
AAVG/N 1001 T2 110kW	45	800	80	12 x 12	10 x 12	760	404	865	790	691	640	670	1074	849	805	765	691	670
AAVG/N 1002 T2 132kW	45	800	80	12 x 12	10 x 12	760	404	865	790	691	640	670	1074	849	805	765	691	670
AAVG/NR 501 T2 3kW	49	276	30	8 x 8	6 x 12	289	211	324	410	344	350	335	546	436	386	370	344	335
AAVG/NR 561 T2 5,5kW	59	336	40	8 x 10	6 x 12	337	238	372	460	393	392	375	613	488	438	418	393	375
AAVG/NR 632 T2 11kW	49	436	50	8 x 12	8 x 12	395	263	440	515	441	438	425	688	545	493	472	441	425
AAVG/NR 711 T2 18,5kW	49	436	50	8 x 12	8 x 12	395	292	440	570	494	489	475	767	605	547	522	494	475
AAVG/NR 712 T2 22kW	33	460	70	8 x 12	8 x 12	434	292	488	570	494	489	475	767	605	547	522	494	475
AAVG/NR 801 T2 30kW	39	500	80	8 x 12	10 x 12	506	324	568	640	555	545	530	854	677	622	592	555	530
AAVG/NR 802 T2 37kW	39	500	80	8 x 12	10 x 12	506	324	568	640	555	545	530	854	677	622	592	555	530
AAVG/NR 901 T2 45kW	39	540	80	12 x 12	10 x 12	556	363	616	715	628	617	600	963	762	696	668	628	600
AAVG/NR 902 T2 55kW	39	600	60	12 x 12	10 x 12	604	363	690	715	628	617	600	963	762	696	668	628	600
AAVG/NR 1001 T2 90kW	46	697	60	12 x 12	10 x 12	690	404	750	790	691	640	670	1074	849	805	765	691	670
AAVG/NR 1002 T2 110kW	45	800	80	12 x 12	10 x 12	760	404	865	790	691	640	670	1074	849	805	765	691	670

Dimensions AAVGN (mm)

Type	X2	X3	X4	X5	X6	X7	a	a1	a2	b	b1	b2	d	d1	d2	n1xp	n2xp	Ø3
AAVG/N 450 T2 2,2kW	490	393	350	375	335	319	146	182	216	105	139	175	205	241	275	-	1x112	10
AAVG/N 501 T2 4kW	546	436	386	410	370	350	166	200	236	117	151	187	228	265	298	-	1x112	12
AAVG/N 561 T2 7,5kW	613	488	438	460	418	392	185	219	255	131	165	201	255	292	325	-	1x112	12
AAVG/N 631 T2 11kW	688	545	493	515	472	438	207	241	277	148	182	218	285	332	365	1x112	1x112	14
AAVG/N 632 T2 15kW	688	545	493	515	472	438	207	241	277	148	182	218	285	332	365	1x112	1x112	14
AAVG/N 711 T2 22kW	767	605	547	570	522	489	231	265	301	166	200	236	320	366	400	1x112	1x112	17
AAVG/N 712 T2 30kW	767	605	547	570	522	489	231	265	301	166	200	236	320	366	400	1x112	1x112	19
AAVG/N 801 T2 37kW	854	677	622	640	592	545	258	292	328	185	219	255	360	405	440	1x112	2x112	19
AAVG/N 802 T2 45kW	854	677	622	640	592	545	258	292	328	185	219	255	360	405	440	1x112	2x112	19
AAVG/N 901 T2 55kW	963	762	696	715	668	617	288	332	368	205	249	285	405	448	485	1x125	2x125	19
AAVG/N 902 T2 75kW	963	762	696	715	668	617	288	332	368	205	249	285	405	448	485	1x125	2x125	21
AAVG/N 1001 T2 110kW	1074	849	805	790	765	640	322	366	402	229	273	309	455	497	535	1x125	2x125	24
AAVG/N 1002 T2 132kW	1074	849	805	790	765	640	322	366	402	229	273	309	455	497	535	1x125	2x125	24

Dimensions AAVGN (mm)

Type	X2	X3	X4	X5	X6	X7	a	a1	a2	b	b1	b2	d	d1	d2	nlxp	n2xp	Ø3
AAVG/NR 501 T2 3kW	546	436	386	410	370	350	166	200	236	117	151	187	228	265	298	-	1x112	12
AAVG/NR 561 T2 5,5kW	613	488	438	460	418	392	185	219	255	131	165	201	255	292	325	-	1x112	12
AAVG/NR 632 T2 11kW	688	545	493	515	472	438	207	241	277	148	182	218	285	332	365	1x112	1x112	14
AAVG/NR 711 T2 18,5kW	767	605	547	570	522	489	231	265	301	166	200	236	320	366	400	1x112	1x112	14
AAVG/NR 712 T2 22kW	767	605	547	570	522	489	231	265	301	166	200	236	320	366	400	1x112	1x112	17
AAVG/NR 801 T2 30kW	854	677	622	640	592	545	258	292	328	185	219	255	360	405	440	1x112	2x112	19
AAVG/NR 802 T2 37kW	854	677	622	640	592	545	258	292	328	185	219	255	360	405	440	1x112	2x112	19
AAVG/NR 901 T2 45kW	963	762	696	715	668	617	288	332	368	205	249	285	405	448	485	1x125	2x125	19
AAVG/NR 902 T2 55kW	963	762	696	715	668	617	288	332	368	205	249	285	405	448	485	1x125	2x125	19
AAVG/NR 1001 T2 90kW	1074	849	805	790	765	640	322	366	402	229	273	309	455	497	535	1x125	2x125	21
AAVG/NR 1002 T2 110kW	1074	849	805	790	765	640	322	366	402	229	273	309	455	497	535	1x125	2x125	24

- 1 AAVG/N 450 T2 2.2kW
- 2 AAVG/N 501 T2 4kW
- 3 AAVG/N 561 T2 7.5kW
- 4 AAVG/N 631 T2 11kW
- 5 AAVG/N 632 T2 15kW
- 6 AAVG/N 711 T2 22kW
- 7 AAVG/N 712 T2 30kW
- 8 AAVG/N 801 T2 37kW
- 9 AAVG/N 802 T2 45kW
- 10 AAVG/N 901 T2 55kW
- 11 AAVG/N 902 T2 75kW
- 12 AAVG/N 1001 T2 110kW

- 1 AAVG/NR 1002 T2 132kW
- 2 AAVG/NR 501 T2 3kW
- 3 AAVG/NR 561 T2 5.5kW
- 4 AAVG/NR 632 T2 11kW
- 5 AAVG/NR 711 T2 18.5kW
- 6 AAVG/NR 712 T2 22kW
- 7 AAVG/NR 801 T2 30kW
- 8 AAVG/NR 802 T2 37kW
- 9 AAVG/NR 901 T2 45kW
- 10 AAVG/NR 902 T2 55kW
- 11 AAVG/NR 1001 T2 90kW
- 12 AAVG/NR 1002 T2 110kW

