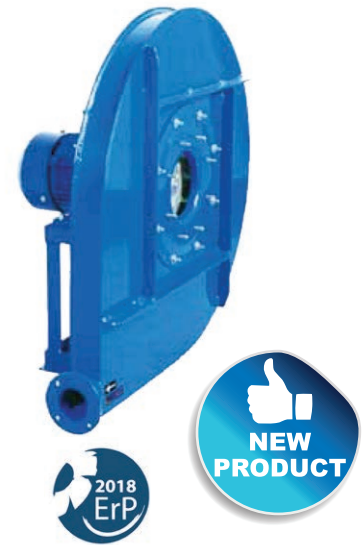


High Pressure Single Inlet Centrifugal Fans AAVA Series

- Fan made of Fe360 sheet. The fan paint finish is based on a Qualicoat polyester powder coating stoved at 200°C, with an average film thickness of 70 microns. Average heat resistance of coating is 180°C with peaks of 200°C.
- Fully welded housing.
- High efficiency simple inlet backward curved impeller made of Fe360 sheet statically and dynamically balanced. Impellers are painted with epoxy primer that resists temperatures up to 300°C.
- Standard asynchronous squirrel-cage motor with IP-55 protection and class F insulation. Manufactured with standard voltages: 230/400V 50Hz in three phase motors up to 4kW and 400/690V 50Hz for higher powers.
- Standard orientation LG270.
- It allows adjusting the orientation locally from models 220 to 630. Models sizes from 710 to 1000 size the orientation is fixed.



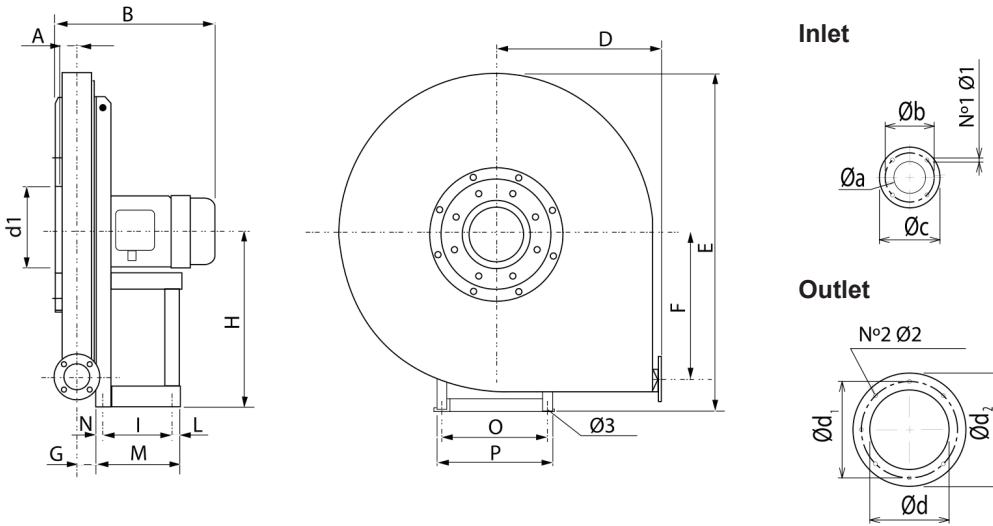
Under request:

- 50Hz fans and special voltages.
- 2 speed motors.
- Spark-proof fans with ATEX certified motor.
- Fan for air working temperatures up to 250°C with R/R (cooling impeller).
- Hot-dipped galvanised or stainless steel fans.

Designed for inline installation, they are suitable for Industrial applications, extraction or injection of air.
Cooling of machines and parts.
Clean air transport.
Exhaust after filters, separators and cyclones.
Pneumatic transport.
Maximum working temperature: carried air: 130°C, ambient: 60°C.

Technical Characteristics AAVA Series

Type	Power (kW)	RPM	Air Flow (m³/h)	Sound db (A)	Weight (Kg)	Price
AAVA 310/P T2 0,25kW	0,25	2.800	110	58	29,0	€ 1.753,00
AAVA 350/P T2 0,37kW	0,37	2.800	180	59	33,0	€ 1.810,00
AAVA 400/P T2 0,55kW	0,55	2.800	250	62	44,0	€ 2.021,00
AAVA 450/P T2 0,75kW	0,75	2.800	320	64	46,0	€ 2.236,00
AAVA 500/P T2 1,1kW	1,10	2.800	330	66	51,0	€ 2.395,00
AAVA 560/P T2 1,5kW	1,50	2.865	360	68	89,0	€ 3.243,00
AAVA 631/P T2 1,5kW	1,50	2.865	330	69	116,0	€ 3.425,00
AAVA 632/P T2 2,2kW	2,20	2.840	400	70	119,0	€ 3.487,00
AAVA 711/P T2 3kW	3,00	2.880	470	72	149,0	€ 4.327,00
AAVA 712/P T2 4kW	4,00	2.880	540	73	168,0	€ 4.437,00
AAVA 801/P T2 4kW	4,00	2.880	470	75	195,0	€ 5.094,00
AAVA 802/P T2 5,5kW	5,50	2.910	540	77	197,0	€ 5.398,00
AAVA 803/P T2 7,5kW	7,50	2.910	720	79	197,0	€ 5.562,00
AAVA 902/P T2 11kW	11,00	2.940	870	81	330,0	€ 7.795,00
AAVA 902/P T2 15kW	15,00	2.935	1.230	83	390,0	€ 8.030,00
AAVA 1001/P T2 18,5kW	18,50	2.940	1.440	85	442,0	€ 11.645,00
AAVA 1002/P T2 22kW	22,00	2.940	1.640	87	501,0	€ 12.356,00



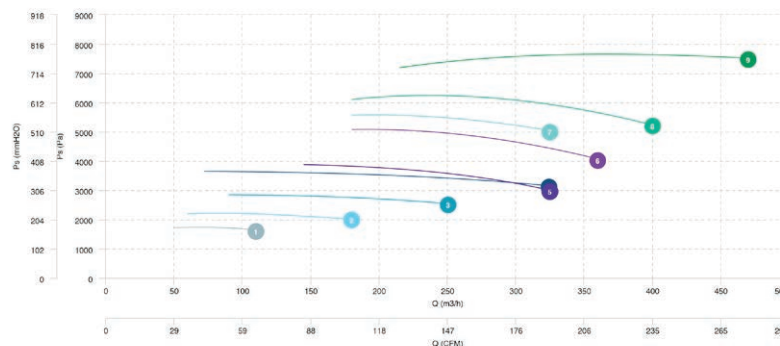
Dimensions AAVA (mm)

Type	A	B	D	E	F	G	H	I	L	M
AAVA 310/P T2 0,25kW	34	280	270	550	220	30	280	86	14	145
AAVA 350/P T2 0,37kW	34	310	270	550	220	30	280	121	23	189
AAVA 400/P T2 0,55kW	34	310	350	705	300	31	355	121	23	189
AAVA 450/P T2 0,75kW	34	335	350	705	300	31	355	121	45	211
AAVA 500/P T2 1,1kW	34	335	350	705	300	31	355	121	45	211
AAVA 560/P T2 1,5kW	34	380	405	830	355	32	425	133	58	246
AAVA 631/P T2 1,5kW	34	380	405	830	355	32	425	133	58	246
AAVA 632/P T2 2,2kW	34	380	405	830	355	32	425	133	58	246
AAVA 711/P T2 3kW	40	440	455	930	400	38	475	197	49	276
AAVA 712/P T2 4kW	40	460	455	930	400	38	475	197	49	276
AAVA 801/P T2 4kW	40	460	505	1035	450	38	530	197	49	276
AAVA 802/P T2 5,5kW	40	460	505	1035	450	38	530	197	49	276
AAVA 803/P T2 7,5kW	40	460	505	1035	450	38	530	197	49	276
AAVA 902/P T2 11kW	49	610	570	1170	500	48	600	337	49	436
AAVA 902/P T2 15kW	49	610	570	1170	500	48	600	337	49	436
AAVA 1001/P T2 18,5kW	49	610	635	1305	560	48	670	337	49	436
AAVA 1002/P T2 22kW	49	610	635	1305	560	48	670	337	49	436



Dimensions AAVA (mm)										
Type	N	O	P	Φ	a	b	c	d	d1	d2
AAVA 310/P T2 0,25kW	45	184	206	10	54	84	104	145	182	215
AAVA 350/P T2 0,37kW	45	203	225	10	54	84	104	145	182	215
AAVA 400/P T2 0,55kW	45	203	225	10	54	84	104	145	182	215
AAVA 450/P T2 0,75kW	45	203	225	10	54	84	104	145	182	215
AAVA 500/P T2 1,1kW	45	203	225	10	54	84	104	145	182	215
AAVA 560/P T2 1,5kW	55	246	260	10	54	84	104	145	182	215
AAVA 631/P T2 1,5kW	55	234	260	10	54	84	104	145	182	215
AAVA 632/P T2 2,2kW	55	234	260	10	54	84	104	145	182	215
AAVA 711/P T2 3kW	30	289	324	12	66	102	126	165	200	235
AAVA 712/P T2 4kW	30	289	324	12	66	102	126	165	200	235
AAVA 801/P T2 4kW	30	289	324	12	66	102	126	165	200	235
AAVA 802/P T2 5,5kW	30	289	324	12	66	102	126	165	200	235
AAVA 803/P T2 7,5kW	30	289	324	12	66	102	126	165	200	235
AAVA 902/P T2 11kW	50	395	440	14	83	118	143	185	219	250
AAVA 902/P T2 15kW	50	395	440	14	83	118	143	185	219	250
AAVA 1001/P T2 18,5kW	50	395	440	14	83	118	143	185	219	250
AAVA 1002/P T2 22kW	50	395	440	14	83	118	143	185	219	250

- 1 AAVA 310/P T2 0,25kW
- 2 AAVA 350/P T2 0,37kW
- 3 AAVA 400/P T2 0,55kW
- 4 AAVA 450/P T2 0,75kW
- 5 AAVA 500/P T2 1,1kW
- 6 AAVA 560/P T2 1,5kW
- 7 AAVA 631/P T2 1,5kW
- 8 AAVA 632/P T2 2,2kW
- 9 AAVA 711/P T2 3kW



- 1 AAVA 712/P T2 4kW
- 2 AAVA 801/P T2 4kW
- 3 AAVA 802/P T2 5,5kW
- 4 AAVA 803/P T2 7,5kW
- 5 AAVA 901/P T2 11kW
- 6 AAVA 902/P T2 15kW
- 7 AAVA 1001/P T2 18,5kW
- 8 AAVA 1002/P T2 22kW

