

High Pressure Single Inlet Centrifugal Fans AA Series



AA 47-70



AA 45/5-60/7



- Rolling steel sheet housing.
- Fully welded housing.
- AA 47-70: high efficiency single inlet and forward curved impeller manufactured in cast aluminium.
- AA 45/5-60/7: high efficiency single inlet and backward curved impeller manufactured in cast aluminium.
- Epoxy powder finishing coat.
- Standard asynchronous squirrel-cage motor with IP-55 protection and class F insulation.
- Standard voltages 230/400V 50Hz, motors up to 4kW and 400/690V 50Hz for higher powers.
- Maximum working temperature: carried air 130°C, environment: 60°C.

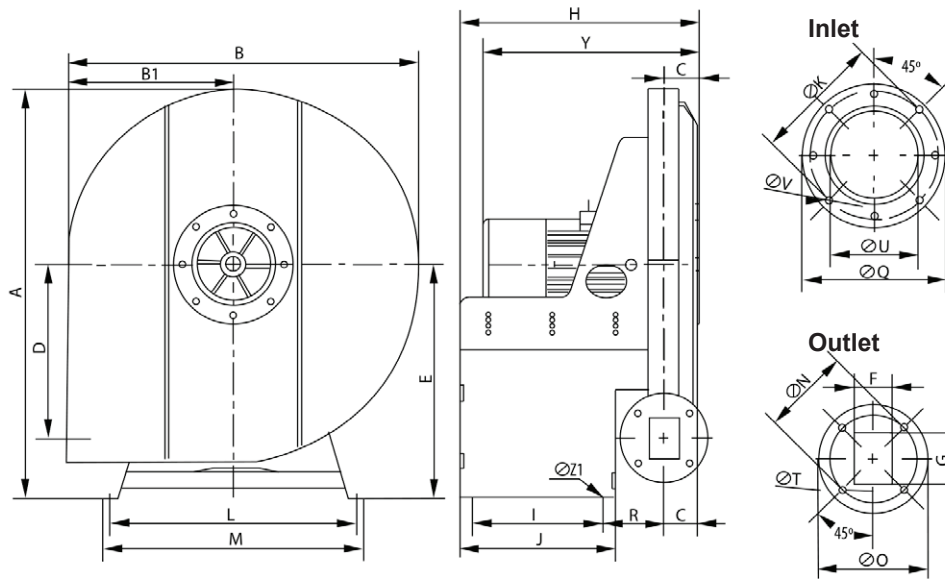
Under request:

60Hz fans and special voltages.
2 speed motors.

Designed for inline installation, they are suitable for Industrial applications, air extraction or injection.
Cooling of machines and parts.
Clean air transport.
Exhaust after filters, separators and cyclones.
Pneumatic transport.

Technical Characteristics AA 47-70 Series						
Type	Power (kW)	RPM	Air Flow (m³/h)	Sound db (A)	Weight (Kg)	Price
AA 47 T2 1,1kW	1,10	2.800	520	64	49,5	€ 2.260,00
AA 53 T2 2,2kW	2,20	2.800	880	66	67,0	€ 2.501,00
AA 59 T2 2,2kW	2,20	2.800	580	69	70,0	€ 2.753,00
AA 59 T2 3kW	3,00	2.870	890	69	77,0	€ 2.961,00
AA 66 T2 4kW	4,00	2.890	900	72	82,0	€ 3.534,00
AA 70 T2 5,5kW	5,50	2.900	1.030	76	118,5	€ 3.816,00
AA 70 T2 7,5kW	7,50	2.900	1.790	78	125,0	€ 3.878,00

Technical Characteristics AA 45/5 - 60/7Series						
Type	Power (kW)	RPM	Air Flow (m³/h)	Sound db (A)	Weight (Kg)	Price
AA 45/5 T2 2,2kW	2,20	2.800	1.680	83	62,5	€ 2.439,00
AA 45/5 T2 3kW	3,00	2.870	2.760	83	69,5	€ 2.733,00
AA 50/5 T2 4kW	4,00	2.890	2.930	86	79,0	€ 3.625,00
AA 50/5 T2 5,5kW	5,50	2.900	4.650	86	92,0	€ 4.205,00
AA 60/7 T2 11kW	11,00	2.930	5.480	90	141,0	€ 5.482,00



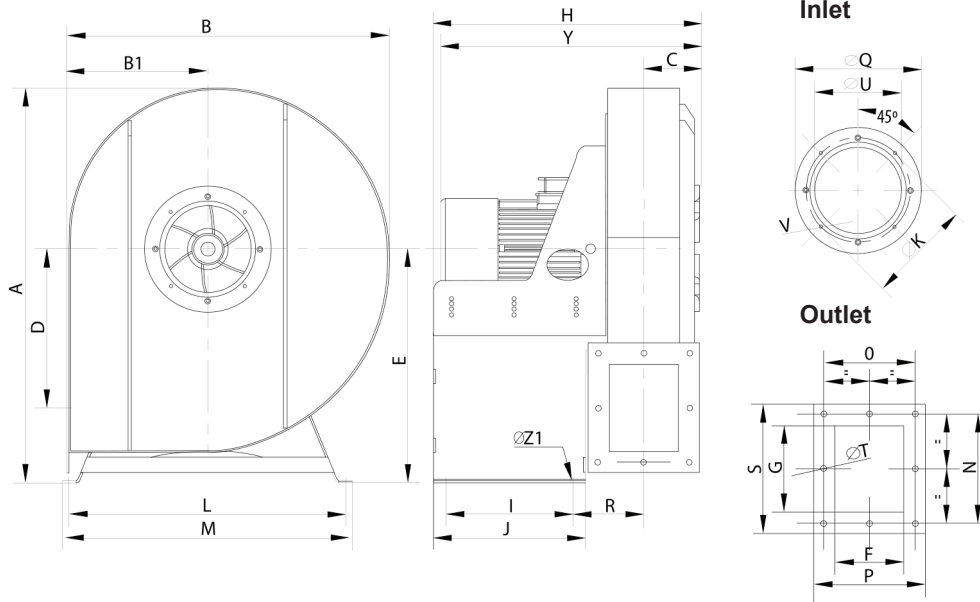
Dimensions AA 47-70 (mm)

Type	A	B	B1	C	D	E	F	G	H	I	J	K
AA 47 T2 1,1kW	643	560	264	70	275,5	365	60	60	372	165	215	175
AA 53 T2 2,2kW	698	609	288,5	70	300	395	60	70	392	185	235	190
AA 59 T2 2,2kW	789	679	321	71,5	335	451	60	80	468,5	250	300	205
AA 59 T2 3kW	789	679	321	71,5	335	451	60	80	468,5	250	300	205
AA 66 T2 4kW	866	755	359	71,5	373	490	60	80	464,5	250	300	205
AA 70 T2 5,5kW	918	807	378	75	411,5	516	60	80	501,5	275	325	205
AA 70 T2 7,5kW	918	807	378	75	411,5	516	60	80	501,5	275	325	205

Dimensions AA 47-70 (mm)

Type	L	M	N	O	Q	R	T	U	V	Y	Z1
AA 47 T2 1,1kW	355	380	132	168	205	112	11	110	12	367	11
AA 53 T2 2,2kW	410	435	132	168	215	112	11	125	12	422	11
AA 59 T2 2,2kW	475	500	140	175	230	122	11	140	12	423,5	11
AA 59 T2 3kW	475	500	140	175	230	122	11	140	12	433,5	11
AA 66 T2 4kW	545	570	140	175	230	118	11	140	12	423,5	11
AA 70 T2 5,5kW	589	614	140	175	230	126,5	11	140	12	516,5	11
AA 70 T2 7,5kW	589	614	140	175	230	126,5	11	140	12	516,5	11





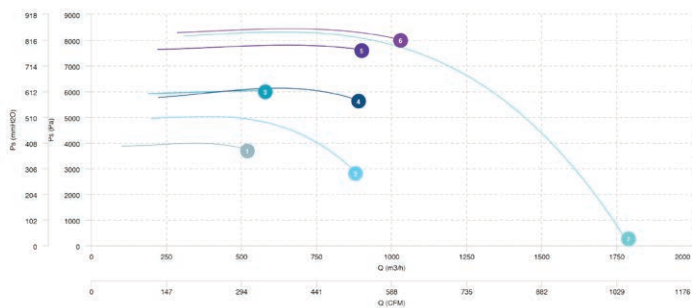
Dimensions AA 45/5-60/7

Type	A	B	B1	C	D	E	F	G	H	I	J	K
AA 45/5 T2 2,2kW	776	635	276,5	115	313	460	135	170	529.5	250	300	205
AA 45/5 T2 3kW	776	635	276,5	115	313	460	135	170	529.5	250	300	205
AA 50/5 T2 4kW	877	716.5	307,25	121	358	520	150	200	583	275	325	258
AA 50/5 T2 5,5kW	877	716.5	307,25	121	358	520	150	200	583	275	325	258
AA 60/7 T2 11kW	922,5	777.5	347,75	132,5	383	535	170	170	640,5	315	365	280

Dimensions AA 47-70 (mm)

Type	L	M	N	O	P	Q	R	S	U	Y	Z1
AA 45/5 T2 2,2kW	545	570	215	180	219	249	139.5	254	170	504.5	11
AA 45/5 T2 3kW	545	570	215	180	219	249	139.5	254	170	514.5	11
AA 50/5 T2 4kW	589	614	256	206	246	292	162	280	210	548	11
AA 50/5 T2 5,5kW	589	614	256	206	246	292	162	280	210	603	11
AA 60/7 T2 11kW	589	614	226	226	266	325	168	266	246	760,5	11

1 AA 47 T2 1,1kW 2 AA 53 T2 2,2kW 3 AA 59 T2 2,2kW 4 AA 59 T2 3kW
5 AA 66 T2 4kW 6 AA 70 T2 5,5kW 7 AA 70 T2 7,5kW



1 AA 45/5 T2 2,2kW 2 AA 45/5 T2 3kW 3 AA 50/5 T2 4kW 4 AA 50/5 T2 5,5kW
5 AA 60/7 T2 11kW

