

Medium Pressure Centrifugal Fans MA 18-25 Series



- Radial Aluminium Impeller Fan, Steel Sheet Casing
- Rolling steel sheet housing.
- Cast aluminium impeller.
- Epoxy powder finishing coat.
- Standard asynchronous squirrel-cage motor with IP-55 protection and Class F insulation. Manufactured with standard voltages: 230V 50Hz in single phase motors and 230/400V 50Hz in three phase motors.
- Standard position LG 270.

Under request:

60Hz fans and special voltages.
Position: LG 0, LG 90, LG 180.

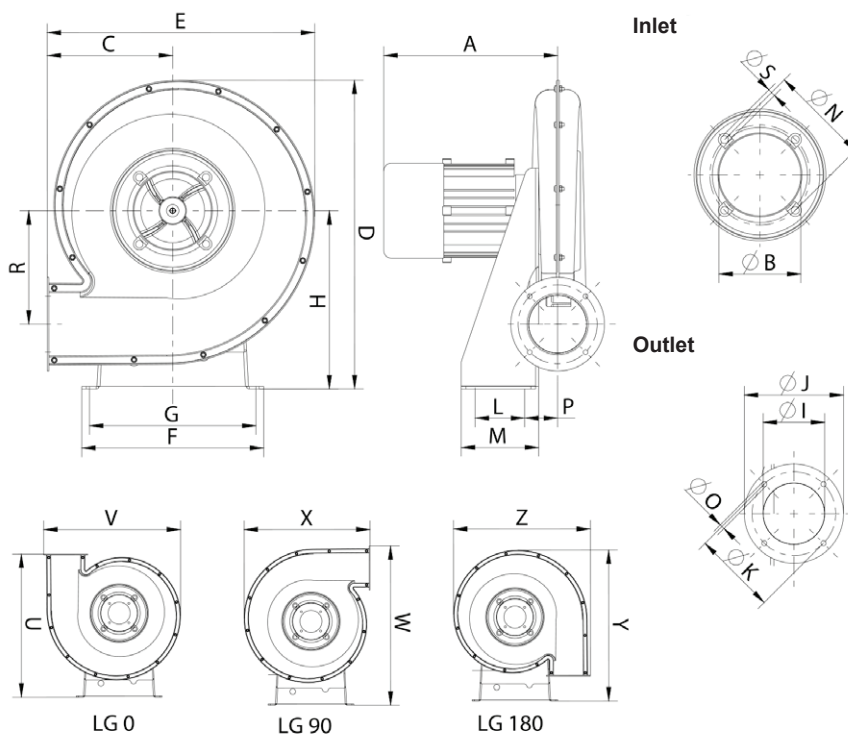
Designed for inline installation, they are suitable for Industrial applications, extraction or injection of air. Cooling of machines and parts.
Clean and slightly dusty air transport.
Maximum working temperature: carried air: 130°C, ambient: 60°C.

Technical Characteristics MA 18-25 Series 230V

Type	Power (kW)	RPM	Air Flow (m³/h)	Sound db (A)	Weight (Kg)	Price
MA 18 M2 0,09kW	0,09	2.800	180	53	6	€ 498,00
MA 24 M2 0,09kW	0,09	2.800	260	56	7	€ 564,00
MA 25 M2 0,18kW	0,18	2.800	480	58	11	€ 665,00

Technical Characteristics MA 18-25 Series 400V

Type	Power (kW)	RPM	Air Flow (m³/h)	Sound db (A)	Weight (Kg)	Price
MA 18 T2 0,09kW	0,09	2.800	180	53	6	€ 474,00
MA 24 T2 0,09kW	0,09	2.800	260	56	7	€ 537,00
MA 25 T2 0,18kW	0,18	2.800	480	58	11	€ 633,00



Dimensions MA 18-25 (mm)												
Type	A	ØB	C	D	E	F	G	H	ØI	ØJ	ØK	L
MA 18	200	80	120	298	260	190	170	170	50	82	72	50
MA 24	200	90	150	353	313	230	210	200	62	101,5	88	50
MA 25	216,5	100	162	398,5	345,5	235	215	230	75	124	102	60

Dimensions MA 18-25 (mm)												
Type	M	ØN	ØO	P	R	ØS	U	V	W	X	Y	Z
MA 18	80	100	5,2	48	113,5	M6	290	283	324,5	260	310	283
MA 24	90	112	6,2	54,5	127,5	M6	350	331	378,5	313	363	331
MA 25	100	122	6,2	62	146,5	M6	392	375,5	437	345,5	413,5	375,5

