

900 Rpm Belt Driven Single Inlet Centrifugal Fans SMABD Series



- Low, medium pressure centrifugal.
- V-belt and pulley transmission drive.
- Housing made of galvanized pressed steel.
- Impeller with sparse wide scooped blades for easy cleaning and prevention of oily residue buildup.
- Impeller made of galvanized pressed steel statically and dynamically balanced.
- Standard asynchronous squirrel-cage motor (6-pole) with IP-55 protection and class F insulation.
- High quality, advanced technology.
- According to ANSI AMCA 210 - 85 and ASHRAE 51 - 1985.

Application : Suitable for industrial applications, commercial kitchens, steak houses etc.

Under request:

Fans for 60Hz and special voltages.

2 speed motor.

Greater horsepower.

Housing made of stainless steel (SMAN series).

Housing made of pressed steel sheet protected by electrostatic, epoxy paint.

High temperature bearings for industrial use.

Technical Characteristics SMABD 6M (900RPM / 230V)

Type	Power (kW)	Inlet Flange (mm)	Outlet Flange (mm)		Air Flow (m³/h)	Price
			Internal	External		
SMABD 250 6M 0,5	0,37	250	225 x 345	275 x 395	4.000	€ 547,00
SMABD 300 6M 1,0	0,75	300	275 x 405	325 x 455	6.000	€ 798,00
SMABD 350 6M 1,5	1,1	300	275 x 405	325 x 455	8.000	€ 853,00
SMABD 350 6M 2,0	1,5	350	325 x 455	375 x 505	10.000	€ 1.109,00

Technical Characteristics SMABD 6T (900RPM / 400V)

Type	Power (kW)	Inlet Flange (mm)	Outlet Flange (mm)		Air Flow (m³/h)	Price
			Internal	External		
SMABD 250 6T 0,5	0,37	250	225 x 345	275 x 395	4.000	€ 547,00
SMABD 300 6T 1,0	0,75	300	275 x 405	325 x 455	6.000	€ 798,00
SMABD 300 6T 1,5	1,1	300	275 x 405	325 x 455	8.000	€ 853,00
SMABD 350 6T 2,0	1,5	350	325 x 455	375 x 505	10.000	€ 1.109,00
SMABD 350 6T 3,0	2,2	350	325 x 455	375 x 505	11.000	€ 1.303,00
SMABD 450 6T 4,0	3	450	570 x 440	630 x 500	15.000	€ 2.378,00
SMABD 450 6T 5,5	4	450	570 x 440	630 x 500	16.000	€ 2.678,00

Accessories



Active Carbon Filters



Active Carbon Filters combined with Activated Alumina



Electrostatic Filters



Asynchronous Electric Motors



Baffle Type Grease Filter



Grease filter



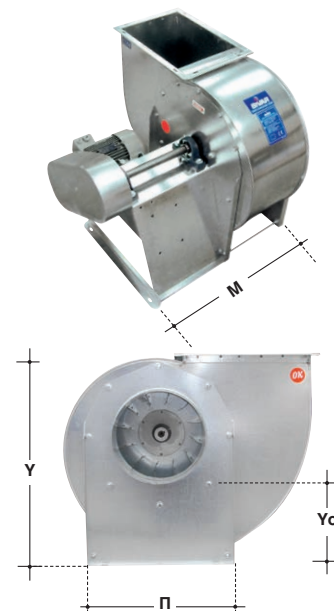
Wall Mounting Set

Single Inlet Centrifugal Fans

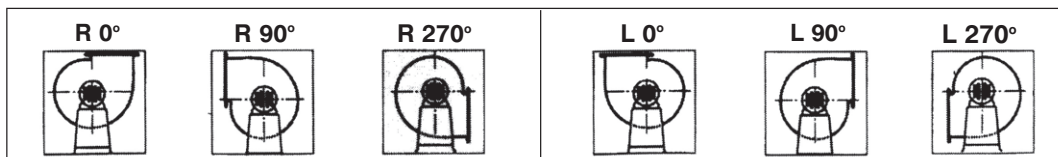


Dimensions SMABD 900 RPM (mm)

Type	Power (kW)	Inlet Flange (mm)	M (Length)	Π (Width)	Y (Height)	Y0
SMABD 250 0,5	0,37	250	700	520	570	230
SMABD 300 1,0	0,75	300	820	620	680	260
SMABD 300 1,5	1,1	300	820	620	680	260
SMABD 350 2,0	1,5	350	900	700	760	290
SMABD 350 3,0	2,2	350	900	700	760	290
SMABD 450 4,0	3	450	900	990	1000	300

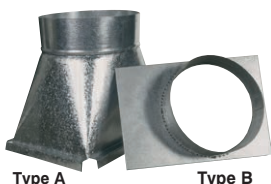


Caution: 400V (three phase) motors should be protected by thermal contacts.



Speed Controllers Inverters

- Absolutely smooth operation for the electric motor.
- Energy saving up to 60%.
- Over speed operation (edge function).
- 230V input voltage inverter for controlling up to 4 HP in three phase motors.
- 400V input voltage inverter for any horsepower rating.
- Speed controllers, pages 320-323.



Single Inlet Fan Outlet Reductions

Inlet Flange (mm)	Type A	Price	Type B	Price
250	SE250A	€ 30,00	SE250B	€ 19,00
300	SE300A	€ 33,00	SE300B	€ 21,00
350	SE350A	€ 39,00	SE350B	€ 23,00
450	SE450A	€ 58,00		

Fan Impellers



counterclockwise



clockwise

Fan Impellers SMABD Series 900 RPM

Type	Power (kW)	Price
IMP6 0,5	0,37	€ 73,00
IMP6 1,0	0,75	€ 98,00
IMP6 1,5	1,1	€ 133,00
IMP6 2,0	1,5	€ 146,00
IMP6 3,0	2,2	€ 171,00
IMP6 4,0	3	€ 384,00
IMP6 5,5	4	€ 420,00