

## 900 RPM Stainless Steel Single Inlet Centrifugal Fans SMAN Series



- Low, medium pressure centrifugal fan with direct coupling.
- Housing made of inox stainless steel.
- Impeller with sparse wide scooped blades for easy cleaning and prevention of oily residue buildup.
- Impeller made of inox stainless steel, statically and dynamically balanced.
- Standard asynchronous squirrel-cage motor (6-pole) with IP-55 protection and class F insulation.
- High quality, advanced technology.
- According to ANSI AMCA 210 - 85 and ASHRAE 51 - 1985.

**Application: Suitable for corrosive industrial applications, food - drink - pharmaceutical industries.**

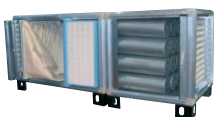
### Under request:

Fans for 60Hz and special voltages.  
2 speed motor.  
Greater horsepower.

Technical Characteristics SMAN 6M (900RPM / 230V)						
Type	Power kW	Inlet Flange (mm)	Outlet Flange (mm)		Air Flow m³/h	Price
			Internal	External		
SMAN 250 6M 0,5	0,37	250	225 x 345	255 x 295	4.000	€ 483,00
SMAN 300 6M 1,0	0,75	300	275 x 405	275 x 395	6.000	€ 677,00
SMAN 300 6M 1,5	1,10	300	275 x 405	305 x 395	8.000	€ 793,00
SMAN 350 6M 2,0	1,50	350	325 x 455	325 x 455	10.000	€ 1.204,00

Technical Characteristics SMAN 6T (900RPM / 400V)						
Type	Power kW	Inlet Flange (mm)	Outlet Flange (mm)		Air Flow m³/h	Price
			Internal	External		
SMAN 250 6T 0,5	0,37	250	225 x 345	275 x 395	4.000	€ 483,00
SMAN 300 6T 1,0	0,75	300	275 x 405	325 x 455	6.000	€ 677,00
SMAN 300 6T 1,5	1,10	300	275 x 405	325 x 455	8.000	€ 793,00
SMAN 350 6T 2,0	1,50	350	325 x 455	375 x 505	10.000	€ 1.139,00
SMAN 350 6T 3,0	2,20	350	325 x 455	375 x 505	11.000	€ 1.297,00
SMAN 450 6T 4,0	3,00	450	570 x 440	630 x 500	15.000	€ 2.322,00
SMAN 450 6T 5,5	4,00	450	570 x 440	630 x 500	16.000	€ 2.635,00

### Accessories



Active Carbon Filters



Active Carbon Filters combined with Activated Alumina



Electrostatic Filters



Asynchronous Electric Motors



Baffle Type Grease Filter



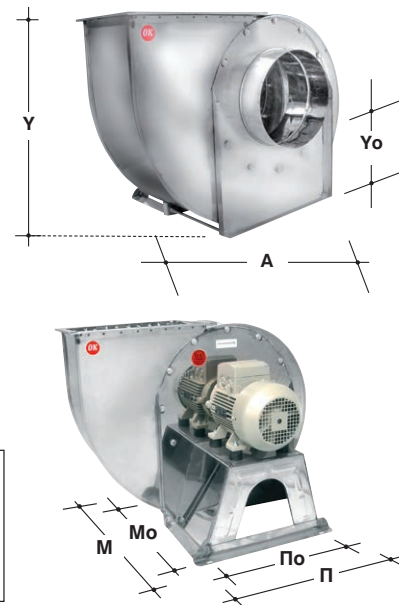
Grease filter



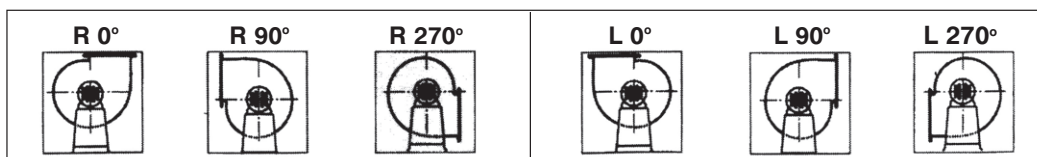
Wall Mounting Set

Dimensions SMAN 900 RPM (mm)

Type	Power (kW)	Y (Height)	Y0	M (Length)	M0	Π (Width)	Π0	A
SMAN 250 0,5	0,37	570	230	700	320	520	470	690
SMAN 300 1,0	0,75	680	260	820	400	620	570	810
SMAN 300 1,5	1,1	680	260	820	400	620	570	810
SMAN 350 2,0	1,5	760	290	900	440	700	610	890
SMAN 350 3,0	2,2	760	290	900	440	700	610	890
SMAN 450 4,0	3	1000	300	900	510	990	790	1010
SMAN 450 5,5	4	1000	300	900	510	990	790	1010



Caution: 400V (three phase) motors should be protected by thermal contacts.



## Speed Controllers Inverters

- Absolutely smooth operation for the electric motor.
- Energy saving up to 60%.
- Over speed operation (edge function).
- 230V input voltage inverter for controlling up to 4 HP in three phase motors.
- 400V input voltage inverter for any horsepower rating.
- Speed controllers, pages 320-323.



## Single Inlet Fan Outlet Reductions (Inox)

Inlet Flange (mm)	Type A	Price	Type B	Price
250	SEN 250A	€ 60,00	SEN 250B	€ 38,00
300	SEN 300A	€ 66,00	SEN 300B	€ 42,00
350	SEN 350A	€ 78,00	SEN 350B	€ 46,00
450	SEN 450A	€ 116,00		

## Fan Impellers (Inox)



Fan Impellers SMAN Series 900 RPM

Type	Power (kW)	Price
IMP6 0,5	0,37	€ 146,00
IMP6 1,0	0,75	€ 196,00
IMP6 1,5	1,1	€ 266,00
IMP6 2,0	1,5	€ 292,00
IMP6 3,0	2,2	€ 342,00
IMP6 4,0	3	€ 768,00
IMP6 5,5	4	€ 840,00

## Single Inlet Fan Rain Shelters (Inox)



Type	Inlet Flange (mm)	Price
RSN 200-250	200 – 250	€ 32,00
RSN 300-350	300 – 350	€ 44,00